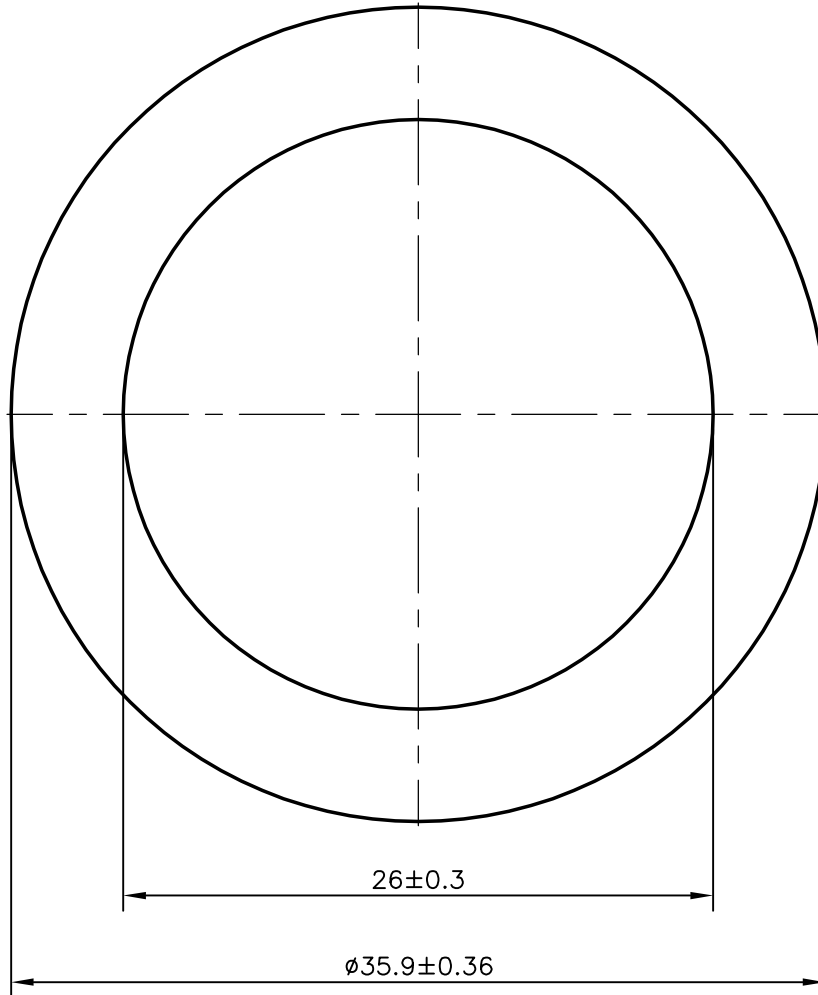


P-7889-1

13446

SCALE 1:1



SYMBOL OF QUALITY  
AN ISO 9001 COMPANY

**JINDAL ALUMINIUM LTD.**  
BANGALORE-560073 (INDIA)

	NAME	DATE
DRAWN	PRASANNA.H	19-02-2008
CHECKED		
APPROVED		

1. ALL DIMENSIONS ARE IN mm.
2. ROUND OFF ALL SHARP CORNERS WITH 0.40 mm.
3. TOLERANCES WILL BE AS PER IS:2673-2002 UNLESS OTHERWISE SPECIFIED

SCALE	3:1
AREA mm <sup>2</sup>	481.3
PERIMETER mm.	112.783
WEIGHT kg/m	1.300

PARTY'S NAME	BGR ENERGY SYSTEMS PVT. LTD., THIRUVALLUR
PARTY'S DRAWING No.	AS PER SPECIFICATION
ALLOY & TEMPER	1060 'F'
DESCRIPTION	ROUND TUBE

DRAWING No.	SECTION No.
P-7889-1	-
13446	13446