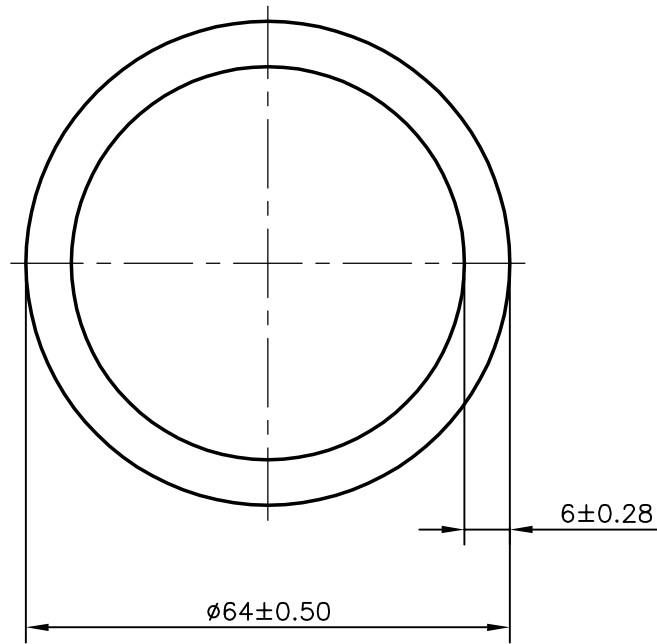


P-7963

13448



SYMBOL OF QUALITY
AN ISO 9001 COMPANY

JINDAL ALUMINIUM LTD.
BANGALORE-560073 (INDIA)

	NAME	DATE
DRAWN	RAGHAVENDRA	29-02-2008
CHECKED		
APPROVED		

1. ALL DIMENSIONS ARE IN mm.
2. ROUND OFF ALL SHARP CORNERS WITH 0.40 mm.
3. TOLERANCES WILL BE AS PER IS:2673-2002 UNLESS OTHERWISE SPECIFIED

SCALE	1:1
AREA mm ²	1093.274
PERIMETER mm.	201.062
WEIGHT kg/m	2.952

PARTY'S NAME	VIJAI ELECTRICALS LTD., HYDERABAD
PARTY'S DRAWING No.	AS PER SPECIFICATION
ALLOY & TEMPER	64430 WP
DESCRIPTION	ROUND TUBE

DRAWING No.	SECTION No.
P-7963	-
13448	13448