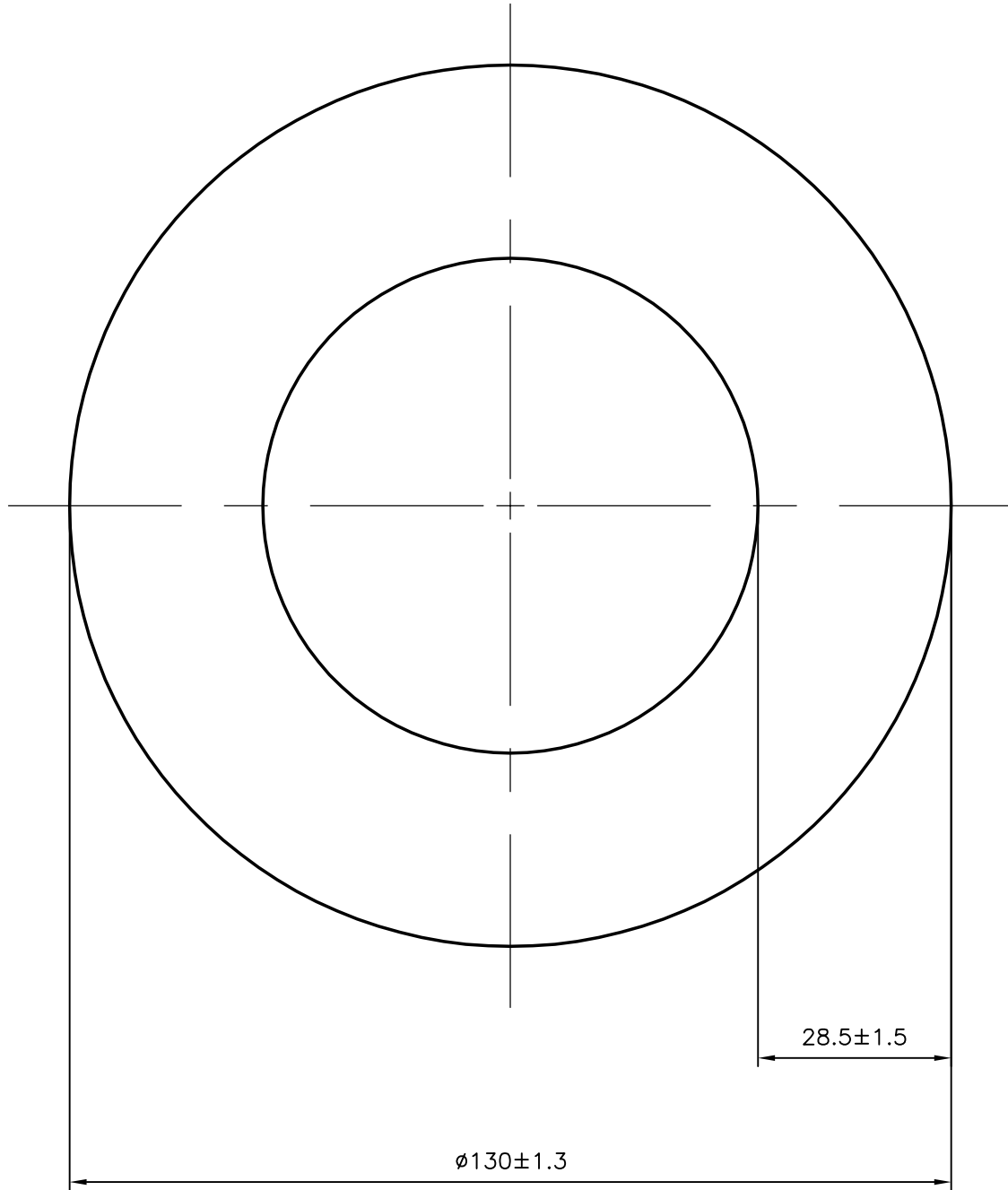


P-8112-1

13450



SYMBOL OF QUALITY
AN ISO 9001 COMPANY

JINDAL ALUMINIUM LTD.
BANGALORE-560073 (INDIA)

	NAME	DATE
DRAWN	J.P.KAUSHIK	11-04-2008
CHECKED		
APPROVED		
SCALE		1:1
AREA mm ²		9087.842
PERIMETER mm.		408.407
WEIGHT kg/m		24.537
DRAWING No.		SECTION No.
P-8112-1		-
13450		13450

- 1. ALL DIMENSIONS ARE IN mm.
- 2. ROUND OFF ALL SHARP CORNERS WITH 0.40 mm.
- 3. TOLERANCES WILL BE AS PER IS:2673-2002 UNLESS OTHERWISE SPECIFIED

PARTY'S NAME	BUNTS TOOLS COMPANY, NASHIK
PARTY'S DRAWING No.	AS PER SPECIFICATION
ALLOY & TEMPER	6061 T6
DESCRIPTION	ROUND TUBE