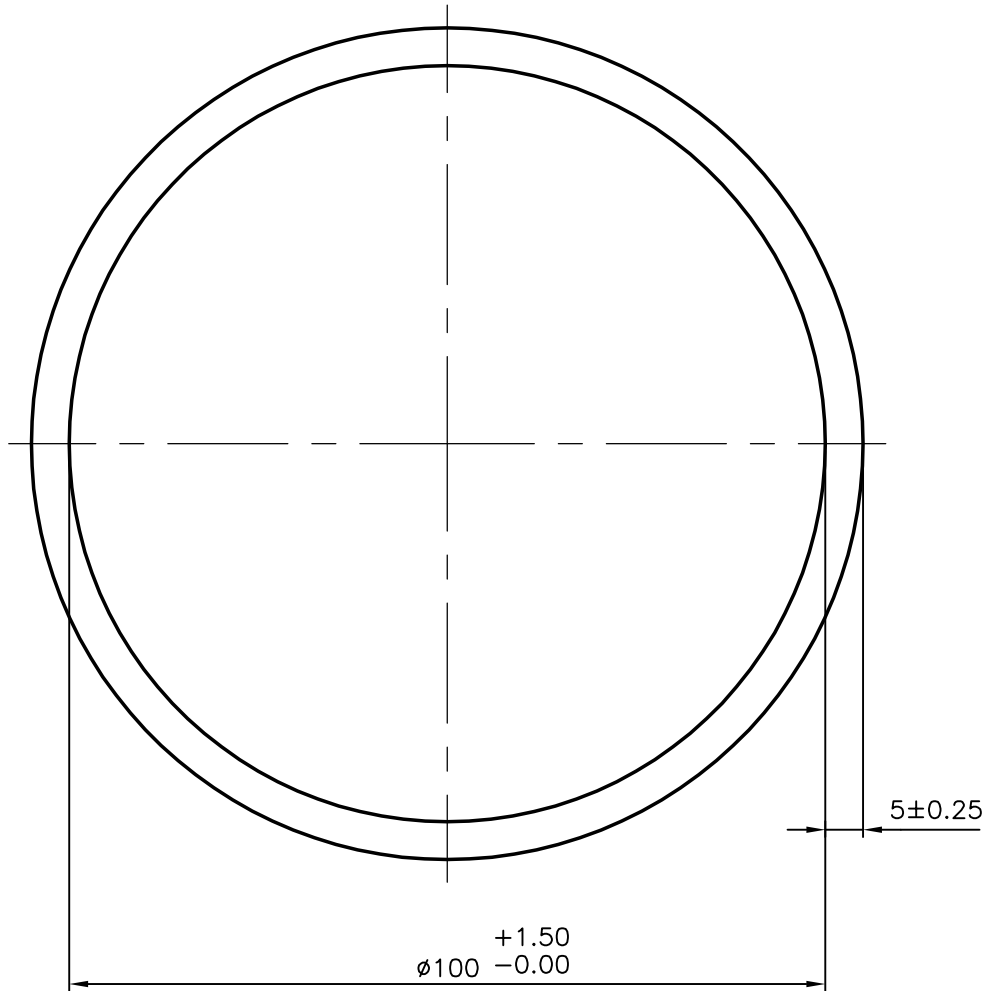


P-6157-1

S1704

13455



OVALITY = 2mm



SYMBOL OF QUALITY
AN ISO 9001 COMPANY

JINDAL ALUMINIUM LTD.
BANGALORE-560073 (INDIA)

	NAME	DATE
DRAWN	MALINGAPPA	01-02-2006
CHECKED		
APPROVED		
SCALE		1:1
AREA	mm ²	1649.336
PERIMETER	mm.	345.575
WEIGHT	kg/m	4.453
DRAWING No.	SECTION No.	
P-6157-1	-	
S1704	S1704	
13455	13455	

1. ALL DIMENSIONS ARE IN mm.
2. ROUND OFF ALL SHARP CORNERS WITH 0.40 mm.
3. TOLERANCES WILL BE AS PER IS:2673-2002 UNLESS OTHERWISE SPECIFIED

PARTY'S NAME	GRIPWEL FASTENERS, NOIDA (U.P.)
PARTY'S DRAWING No.	AS PER SPECIFICATION
ALLOY & TEMPER	6061 T6
DESCRIPTION	ROUND TUBE