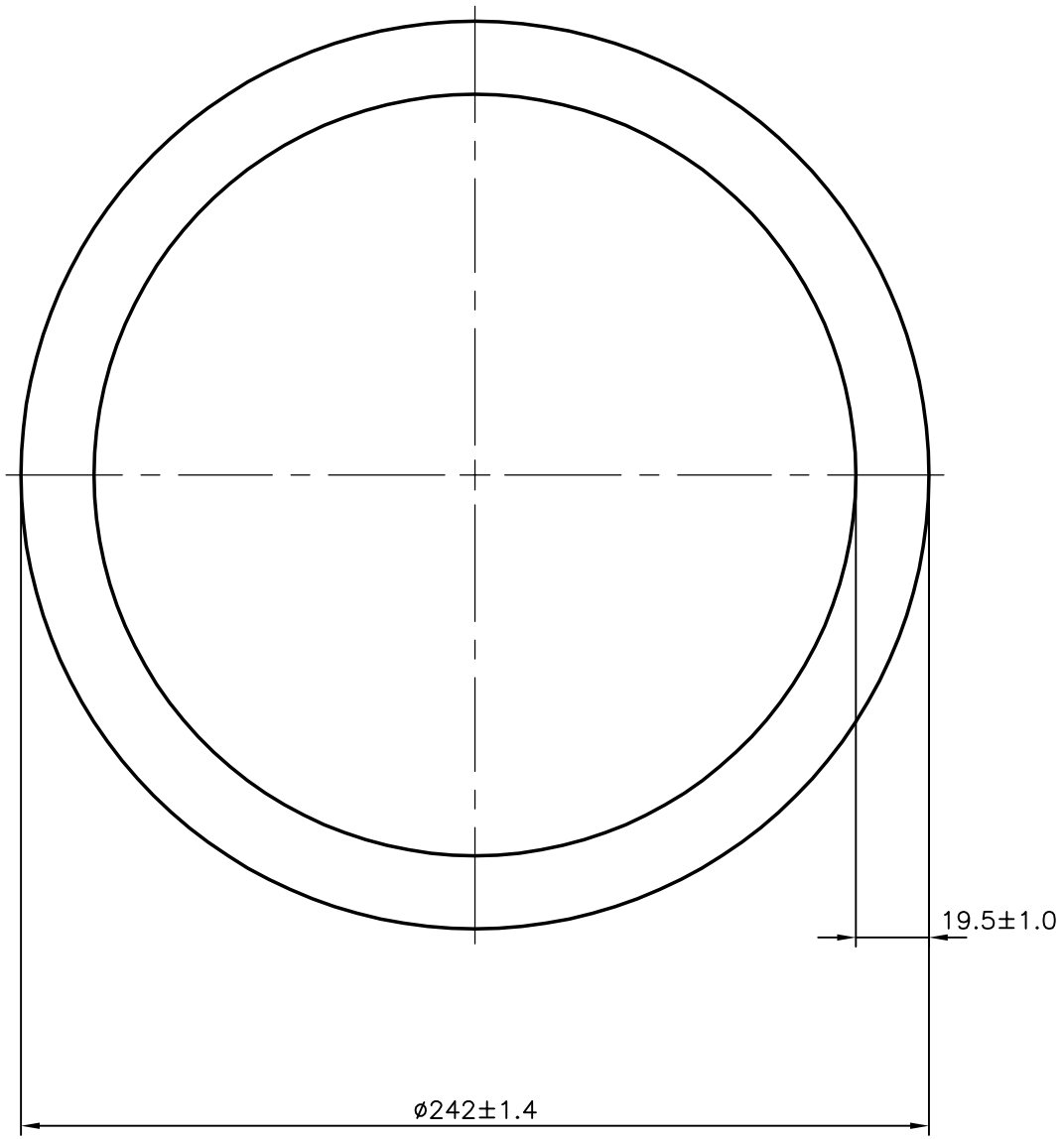



P-6469-1
S1765
13463



 SYMBOL OF QUALITY AN ISO 9001 COMPANY	JINDAL ALUMINIUM LTD. BANGALORE-560073 (INDIA)	NAME		DATE
		DRAWN	J.P.KAUSHIK	07-06-2006
1. ALL DIMENSIONS ARE IN mm. 2. ROUND OFF ALL SHARP CORNERS WITH 0.40 mm. 3. TOLERANCES WILL BE AS PER IS:2673-2002 UNLESS OTHERWISE SPECIFIED		CHECKED		
		APPROVED		
PARTY'S NAME BHARAT ELECTRONICS LIMITED, BANGALORE		SCALE		1:2
		AREA mm ²		13630.585
PARTY'S DRAWING No. AS PER SPECIFICATION		PERIMETER mm.		760.265
		WEIGHT kg/m		36.803
ALLOY & TEMPER 6061 T6		DRAWING No.		SECTION No.
		P-6469-1		-
DESCRIPTION ROUND TUBE		S1765		S1765
		13463		13463