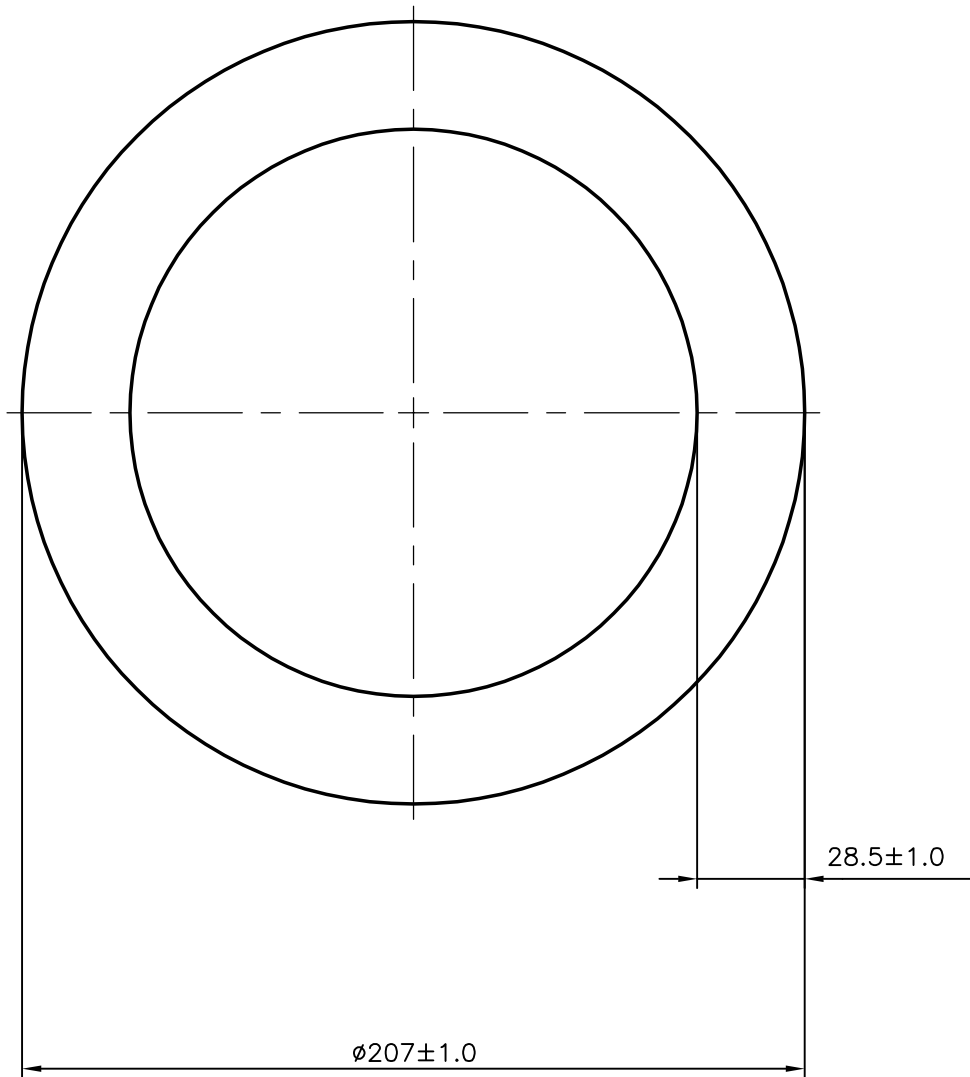



P-6470-1
S1766
13464



 SYMBOL OF QUALITY AN ISO 9001 COMPANY	JINDAL ALUMINIUM LTD. BANGALORE-560073 (INDIA)		NAME	DATE
		DRAWN	J.P.KAUSHIK	07-06-2006
1. ALL DIMENSIONS ARE IN mm. 2. ROUND OFF ALL SHARP CORNERS WITH 0.40 mm. 3. TOLERANCES WILL BE AS PER IS:2673-2002 UNLESS OTHERWISE SPECIFIED		CHECKED		
		APPROVED		
PARTY'S NAME BHARAT ELECTRONICS LIMITED, BANGALORE		SCALE		1:2
		AREA mm ²		15982.067
PARTY'S DRAWING No. AS PER SPECIFICATION		PERIMETER mm.		650.31
		WEIGHT kg/m		43.152
ALLOY & TEMPER 6061 T6		DRAWING No.		P-6470-1
		SECTION No.		-
DESCRIPTION ROUND TUBE		S1766		S1766
		13464		13464