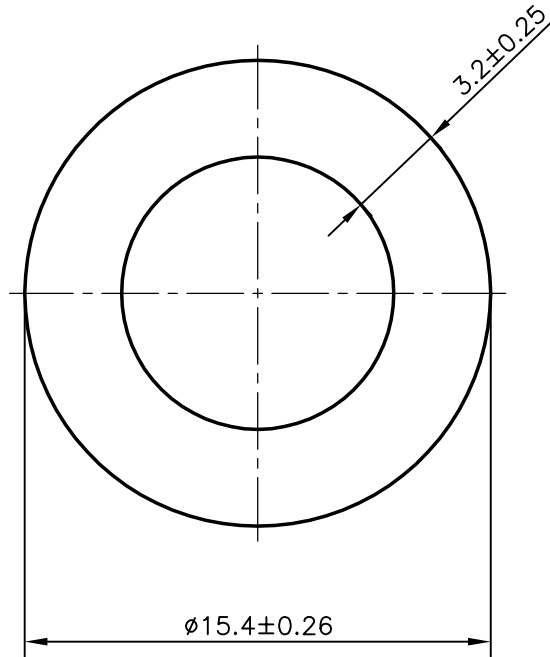
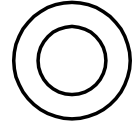


P-8416-1

13465

SCALE 1:1



SYMBOL OF QUALITY
AN ISO 9001 COMPANY

JINDAL ALUMINIUM LTD.
BANGALORE-560073 (INDIA)

	NAME	DATE
DRAWN	ABHA	03-07-2008
CHECKED		
APPROVED		

1. ALL DIMENSIONS ARE IN mm.
2. ROUND OFF ALL SHARP CORNERS WITH 0.40 mm.
3. TOLERANCES WILL BE AS PER IS:2673-2002 UNLESS OTHERWISE SPECIFIED

SCALE	4:1
AREA mm ²	122.648
PERIMETER mm.	48.381
WEIGHT kg/m	0.331

PARTY'S NAME VISOKA ENGINEERING PVT. LTD.,CHENNAI

DRAWING No.	SECTION No.
P-8416-1	-
13465	13465

PARTY'S DRAWING No. AS PER SPECIFICATION

ALLOY & TEMPER 1060F

DESCRIPTION ROUND TUBE