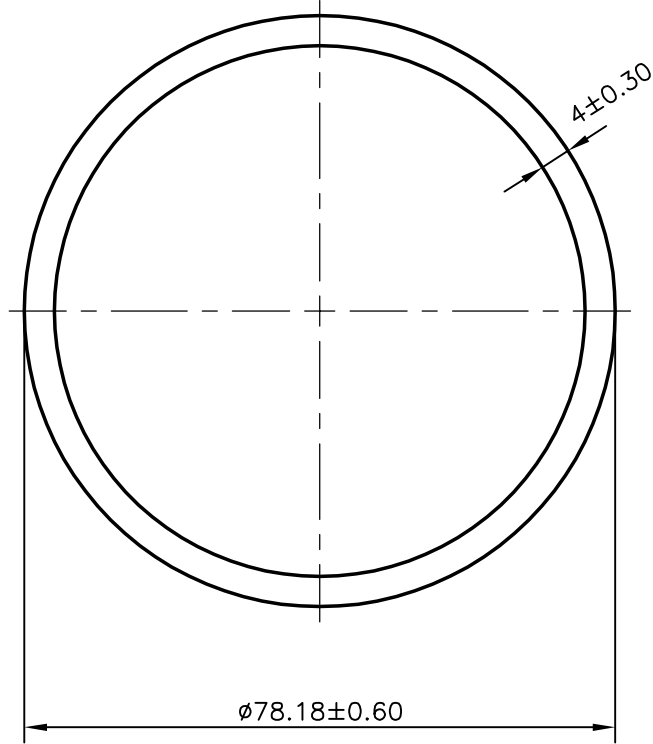


P-8638

13471



SYMBOL OF QUALITY  
AN ISO 9001 COMPANY

**JINDAL ALUMINIUM LTD.**  
*BANGALORE-560073 (INDIA)*

	NAME	DATE
DRAWN	ABHARANI	12-09-2008
CHECKED		
APPROVED		

1. ALL DIMENSIONS ARE IN mm.
2. ROUND OFF ALL SHARP CORNERS WITH 0.40 mm.
3. TOLERANCES WILL BE AS PER IS:2673-2002 UNLESS OTHERWISE SPECIFIED

SCALE	1:1
AREA mm <sup>2</sup>	932.173
PERIMETER mm.	245.61
WEIGHT kg/m	2.517

PARTY'S NAME	ENERGY ENTERPRISES, BANGALORE,KARNATAKA
PARTY'S DRAWING No.	AS PER SPECIFICATION
ALLOY & TEMPER	E91E WP
DESCRIPTION	ROUND TUBE

DRAWING No.	SECTION No.
P-8638	-
13471	13471