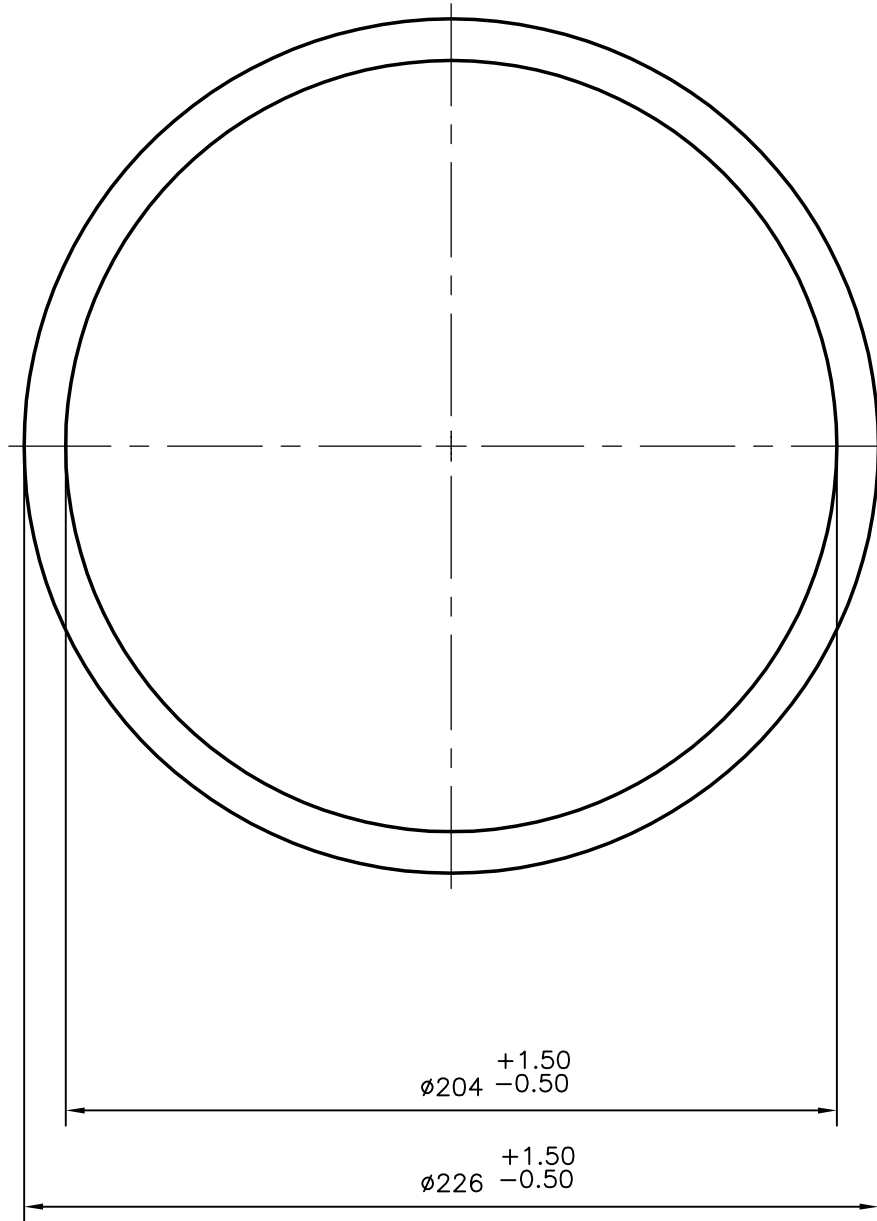


P-6407-1

S1853

13475



OVALITY WILL BE WITH IN ± 1.50 mm



SYMBOL OF QUALITY
AN ISO 9001 COMPANY

JINDAL ALUMINIUM LTD.
BANGALORE-560073 (INDIA)

	NAME	DATE
DRAWN	J.P.KAUSHIK	18-05-2006
CHECKED		
APPROVED		
SCALE		1:2
AREA mm ²		7429.867
PERIMETER mm.		710
WEIGHT kg/m		20.061
DRAWING No.	SECTION No.	
P-6407-1	-	
S1853	S1853	
13475	13475	

1. ALL DIMENSIONS ARE IN mm.
2. ROUND OFF ALL SHARP CORNERS WITH 0.40 mm.
3. TOLERANCES WILL BE AS PER IS:2673-2002 UNLESS OTHERWISE SPECIFIED

PARTY'S NAME	ABB LIMITED.,VADODARA
PARTY'S DRAWING No.	AS PER SPECIFICATION
ALLOY & TEMPER	HE30 WP
DESCRIPTION	ROUND TUBE