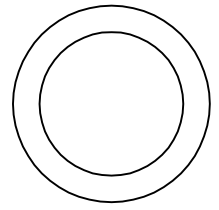


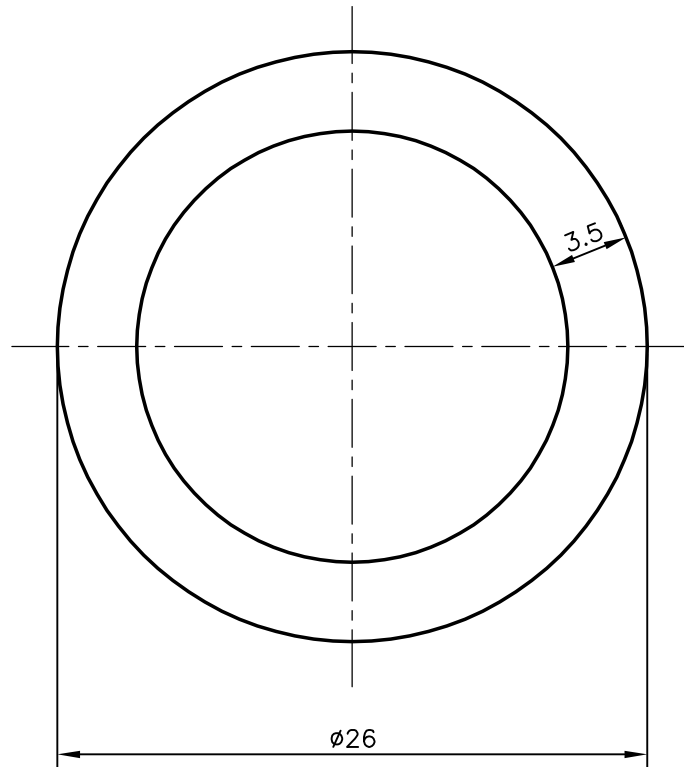
P-6906

S1912

13479



SCALE 1:1



SYMBOL OF QUALITY  
AN ISO 9001 COMPANY

**JINDAL ALUMINIUM LTD.**  
BANGALORE-560073 (INDIA)

	NAME	DATE
DRAWN	RAGHAVENDRA	14-12-2006
CHECKED		
APPROVED		

1. ALL DIMENSIONS ARE IN mm.
2. ROUND OFF ALL SHARP CORNERS WITH 0.40 mm.
3. TOLERANCES WILL BE AS PER IS:2673-2002 UNLESS OTHERWISE SPECIFIED

SCALE	3:1
AREA mm <sup>2</sup>	247.4
PERIMETER mm.	81.681
WEIGHT kg/m	0.668

PARTY'S NAME NECCO TOOLS, CHENNAI

PARTY'S DRAWING No. AS PER SPECIFICATION

ALLOY & TEMPER HE9 WP

DESCRIPTION ROUND TUBE

DRAWING No.	SECTION No.
P-6906	-
S1912	S1912
13479	13479