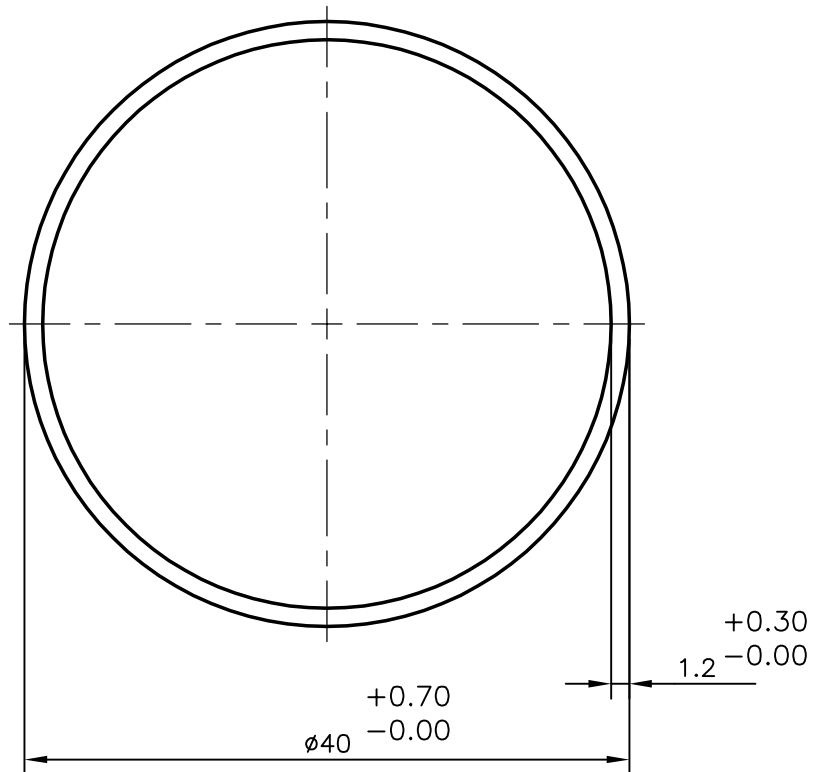
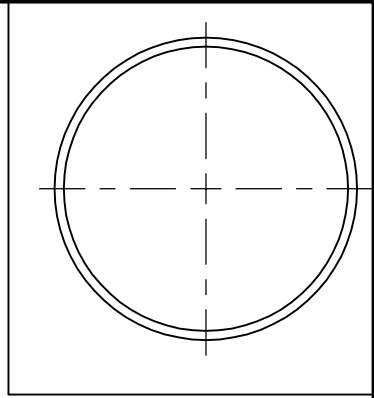


P-6868-1

S1913

13480



SYMBOL OF QUALITY
AN ISO 9002 COMPANY

JINDAL ALUMINIUM LTD.
BANGALORE-560073 (INDIA)

	NAME	DATE
DRAWN	J.P.KAUSHIK	29-12-2006
CHECKED		
APPROVED		
SCALE	2:1	
AREA mm ²	146.273	
PERIMETER mm.	125.664	
WEIGHT kg/m	0.395	
DRAWING No.	SECTION No.	
P-6868-1	-	
S1913	S1913	
13480	13480	

1. ALL DIMENSIONS ARE IN mm.
2. ROUND OFF ALL SHARP CORNERS WITH 0.40 mm.
3. TOLERANCES WILL BE AS PER IS:2673-2002 UNLESS OTHERWISE SPECIFIED

PARTY'S NAME	SAKSHI ENGINEERING CO., FARIDABAD
PARTY'S DRAWING No.	AS PER DRAWING
ALLOY & TEMPER	E1CM
DESCRIPTION	ROUND TUBE