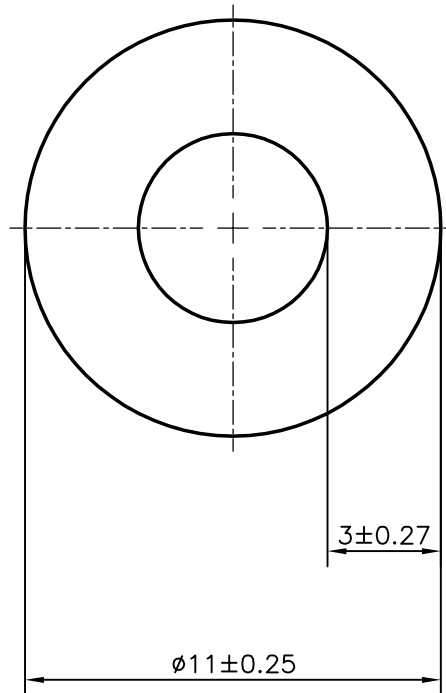


P-9483

13488



SYMBOL OF QUALITY
AN ISO 9001 COMPANY

JINDAL ALUMINIUM LTD.
BANGALORE-560073 (INDIA)

	NAME	DATE
DRAWN	J.P.KAUSHIK	14-09-2009
CHECKED		
APPROVED		

1. ALL DIMENSIONS ARE IN mm.
2. ROUND OFF ALL SHARP CORNERS WITH 0.40 mm.
3. TOLERANCES WILL BE AS PER BS:EN-755 UNLESS OTHERWISE SPECIFIED

SCALE	5:1
AREA mm ²	75.398
PERIMETER mm.	34.558
WEIGHT kg/m	0.204

PARTY'S NAME	EASA HUSAIN AL-YOUSIFI & SONS CO., KUWAIT
PARTY'S DRAWING No.	YGD-05
ALLOY & TEMPER	6063 T6
DESCRIPTION	ROUND TUBE

DRAWING No.	SECTION No.
P-9483	
13488	13488