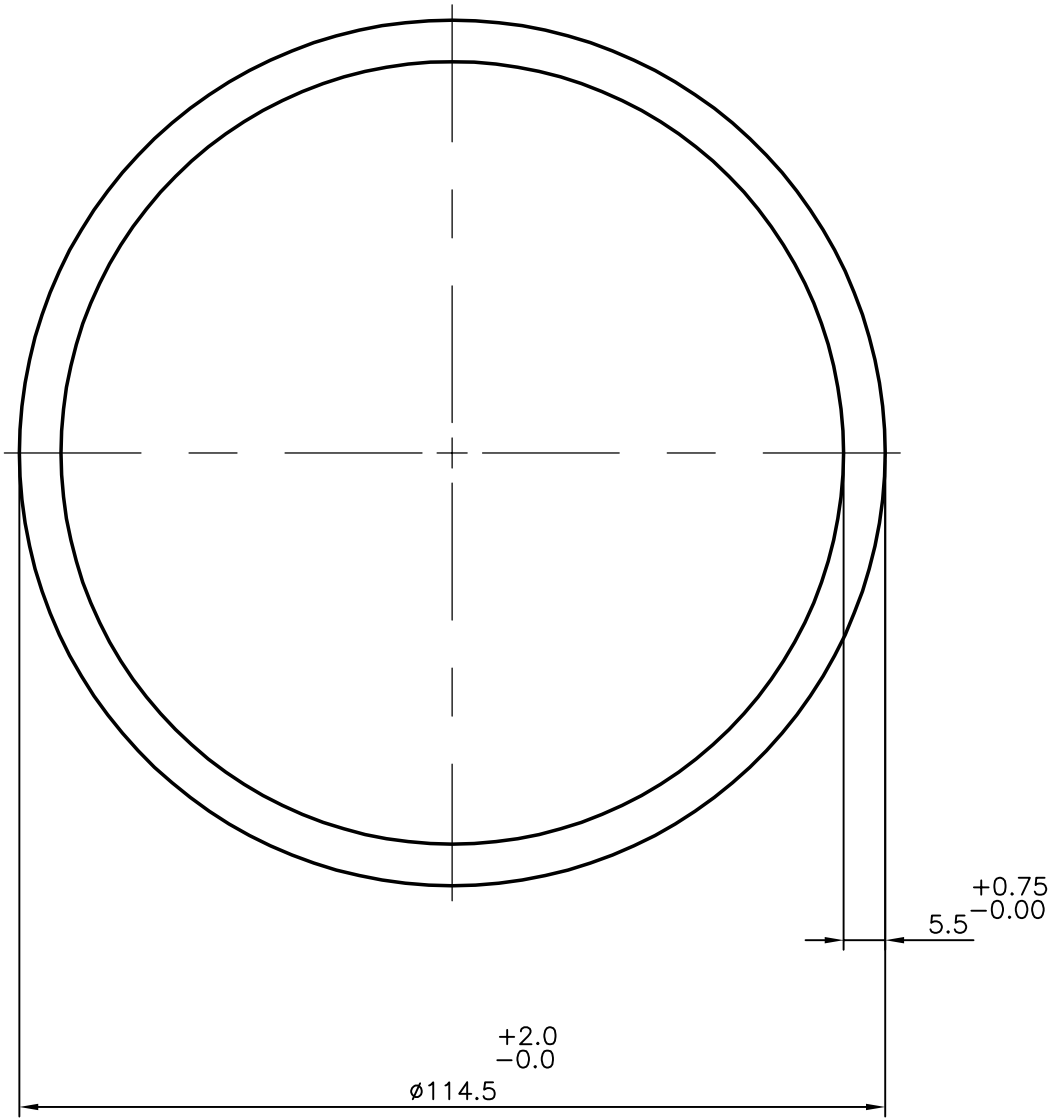



P-6591
S1844
13490



OVALITY \pm 1.0 mm

 SYMBOL OF QUALITY AN ISO 9001 COMPANY	JINDAL ALUMINIUM LTD. <i>BANGALORE-560073 (INDIA)</i>	NAME		DATE	
		DRAWN	J.P.KAUSHIK	29-07-2006	
		CHECKED			
1. ALL DIMENSIONS ARE IN mm. 2. ROUND OFF ALL SHARP CORNERS WITH 0.40 mm. 3. TOLERANCES WILL BE AS PER IS:2673-2002 UNLESS OTHERWISE SPECIFIED		APPROVED			
		SCALE		1:1	
		AREA mm ²		1883.385	
PARTY'S NAME		FAIVELEY TRANSPORT INDIA LTD., HOSUR		PERIMETER mm.	359.712
		PARTY'S DRAWING No.		AS PER SPECIFICATION	WEIGHT kg/m
ALLOY & TEMPER		HE30 WP		DRAWING No.	P-6591
		DESCRIPTION		ROUND TUBE	SECTION No.
				S1844	S1844
				13490	13490