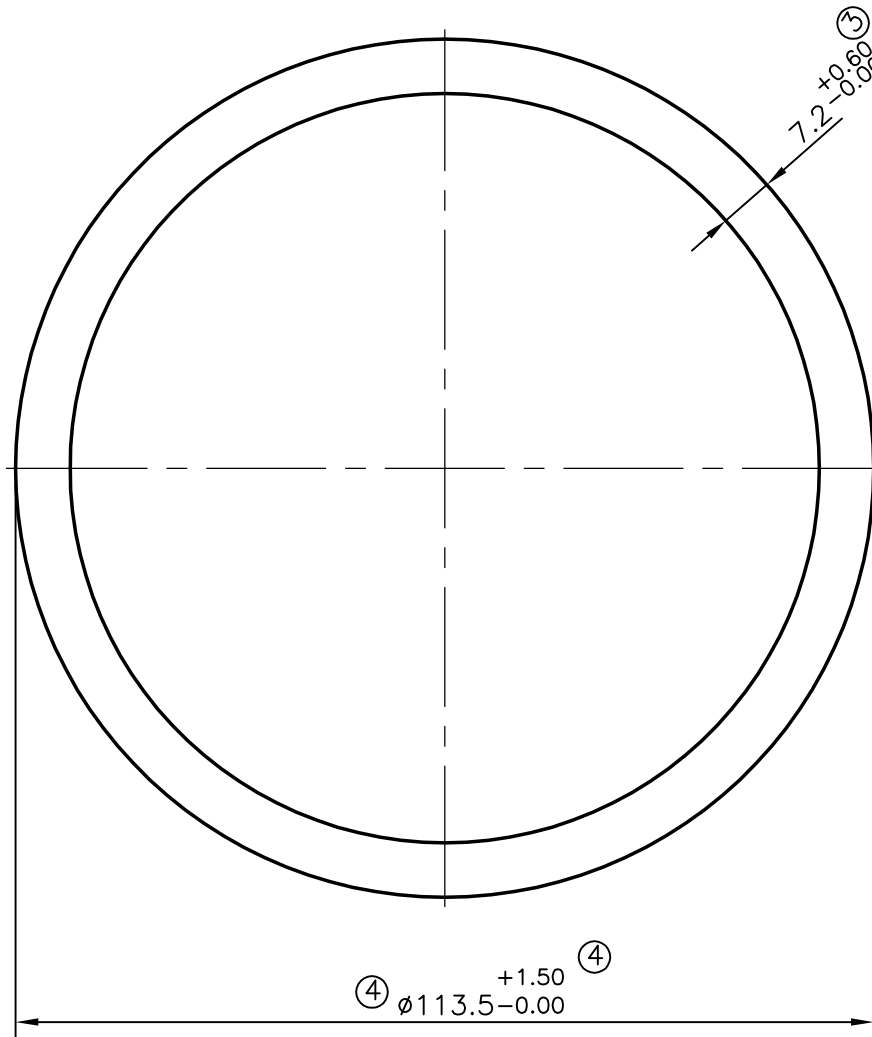


P-7648-1
S2360
13491



ISSUE-2:-


TOLERANCE CHANGED FROM 114 ± 1.0 TO $114^{+2.00}_{-0.00}$ & 7 ± 0.31 TO 7

ISSUE-3:-

THICKNESS & TOLERANCE CHANGED FROM $7^{+1.00}_{-0.00}$ TO $7.2^{+0.60}_{-0.00}$
 & WEIGHT ALSO CHANGED FROM 6.353 kg/m TO 6.523 kg/m

ISSUE-4:-

O.D & TOLERANCE CHANGED FROM $\phi 114^{+2.00}_{-0.00}$ TO $\phi 113.5^{+1.50}_{-0.00}$
 & WEIGHT ALSO CHANGED FROM 6.523 kg/m TO 6.492 kg/m

 SYMBOL OF QUALITY AN ISO 9001 COMPANY	JINDAL ALUMINIUM LTD. BANGALORE-560073 (INDIA)	NAME		DATE
		DRAWN	J.P.KAUSHIK	04-03-2010
1. ALL DIMENSIONS ARE IN mm. 2. ROUND OFF ALL SHARP CORNERS WITH 0.40 mm. 3. TOLERANCES WILL BE AS PER IS:2673-2002, UNLESS OTHERWISE SPECIFIED		CHECKED		
		APPROVED	S.S.GARG	06-03-2010
PARTY'S NAME AL-CAN EXPORTS PVT. LTD., THANE		SCALE		1:1
		AREA mm ²		2404.449
PARTY'S DRAWING No. AS PER SPECIFICATION		PERIMETER mm.		356.571
		WEIGHT kg/m		6.492
ALLOY & TEMPER 6061 'O'		DRAWING No.		P-7648-1
		SECTION No.		-
DESCRIPTION ROUND TUBE		S2360		S2360(ISSUE-4)
		13491		13491