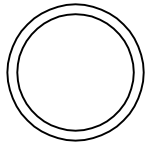


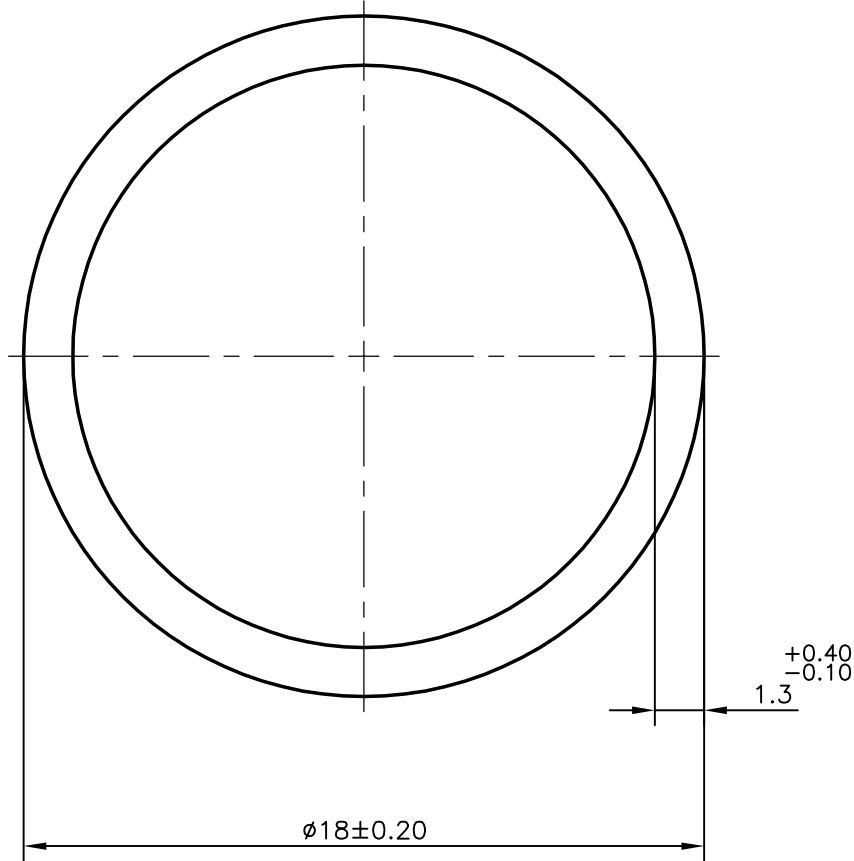
P-9368

S2248

13492



1:1



SYMBOL OF QUALITY
AN ISO 9001 COMPANY

JINDAL ALUMINIUM LTD.
BANGALORE-560073 (INDIA)

	NAME	DATE
DRAWN	J.P.KAUSHIK	02-07-2009
CHECKED		
APPROVED	S.S.GARG	18-08-2009
SCALE		5:1
AREA mm ²		68.204
PERIMETER mm.		56.549
WEIGHT kg/m		0.184
DRAWING No.	SECTION No.	
P-9368	-	
S2248	S2248	
13492	13492	

1. ALL DIMENSIONS ARE IN mm.
2. ROUND OFF ALL SHARP CORNERS WITH 0.40 mm.
3. TOLERANCES WILL BE AS PER IS:2673-2002 UNLESS OTHERWISE SPECIFIED

PARTY'S NAME	BATHLA ALUMINIUM PVT. LTD.,BANGALORE
PARTY'S DRAWING No.	AS PER DRAWING
ALLOY & TEMPER	HE9 WP
DESCRIPTION	ROUND TUBE