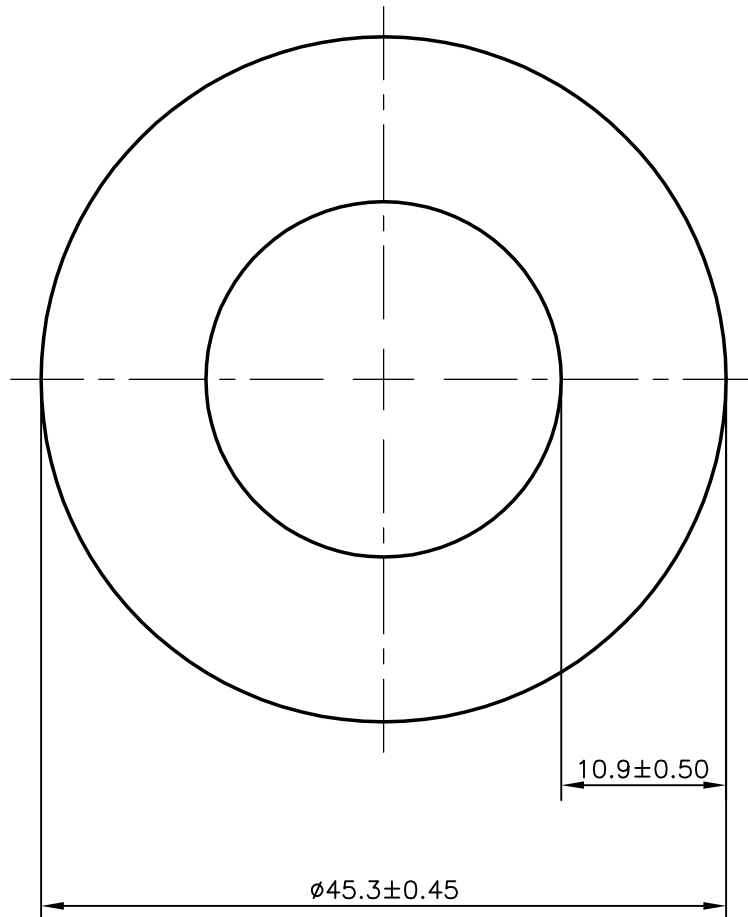
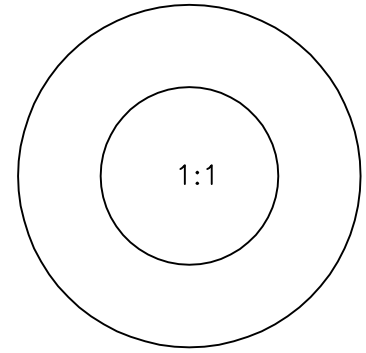


P-9926-1

S2509

13494



SYMBOL OF QUALITY
AN ISO 9001 COMPANY

JINDAL ALUMINIUM LTD.
BANGALORE-560073 (INDIA)

	NAME	DATE
DRAWN	J.P.KAUSHIK	26-03-2010
CHECKED		
APPROVED	S.S.GARG	06-04-2010
SCALE		2:1
AREA mm ²		1177.972
PERIMETER mm.		142.314
WEIGHT kg/m		3.181
DRAWING No.	SECTION No.	
P-9926-1	-	
S2509	S2509	
13494	13494	

1. ALL DIMENSIONS ARE IN mm.
2. ROUND OFF ALL SHARP CORNERS WITH 0.40 mm.
3. TOLERANCES WILL BE AS PER IS:2673-2002 UNLESS OTHERWISE SPECIFIED

PARTY'S NAME	GLOBE COMPONENTS PVT.LTD., CHENNAI
PARTY'S DRAWING No.	AS PER SPECIFICATION
ALLOY & TEMPER	6063 T6
DESCRIPTION	ROUND TUBE