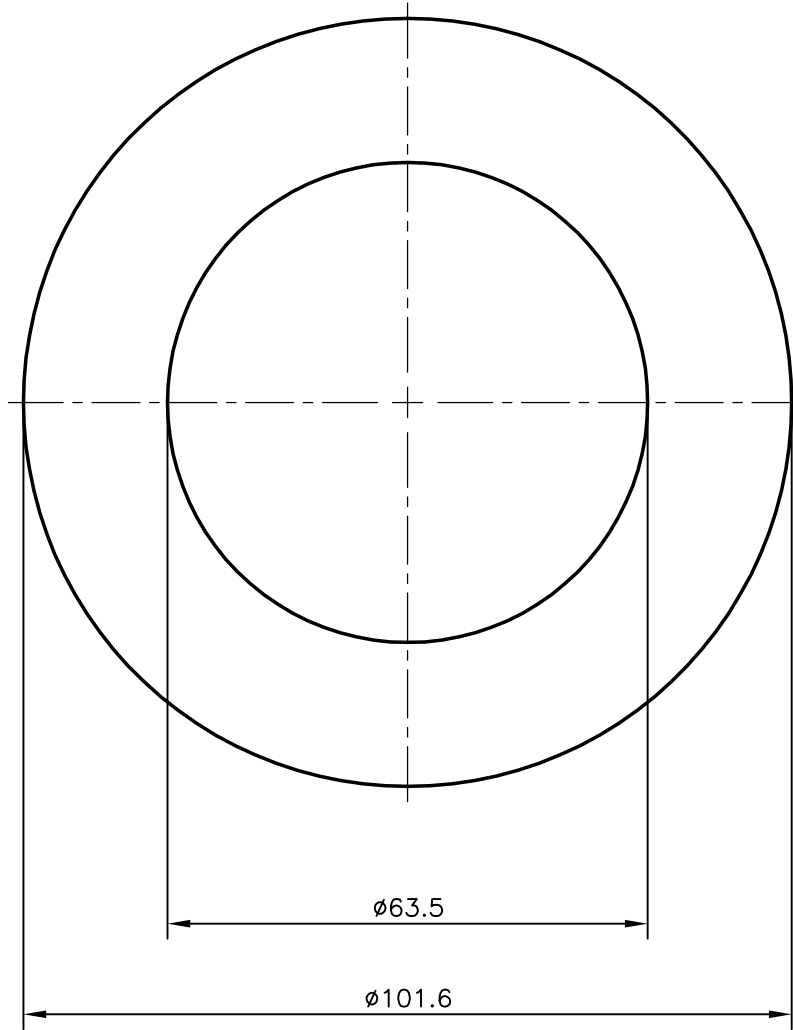


P-10550

13495



SYMBOL OF QUALITY  
AN ISO 9001 COMPANY

**JINDAL ALUMINIUM LTD.**  
*BANGALORE-560073 (INDIA)*

	NAME	DATE
DRAWN	J.P.KAUSHIK	10-11-2010
CHECKED		
APPROVED	S.S.GARG	16-11-2010
SCALE		1:1
AREA mm <sup>2</sup>		4940.398
PERIMETER mm.		319.186
WEIGHT kg/m		13.339
DRAWING No.	SECTION No.	
P-10550	-	
13495	13495	

1. ALL DIMENSIONS ARE IN mm.
2. ROUND OFF ALL SHARP CORNERS WITH 0.40 mm.
3. TOLERANCES WILL BE AS PER,BS:EN-755 UNLESS OTHERWISE SPECIFIED

PARTY'S NAME	RELIANCE ALUMINIUM & COPPER PRODUCTS TRADING LLC UAE ,UAE
PARTY'S DRAWING No.	AS PER SPECIFICATION
ALLOY & TEMPER	6061 T6
DESCRIPTION	ROUND TUBE