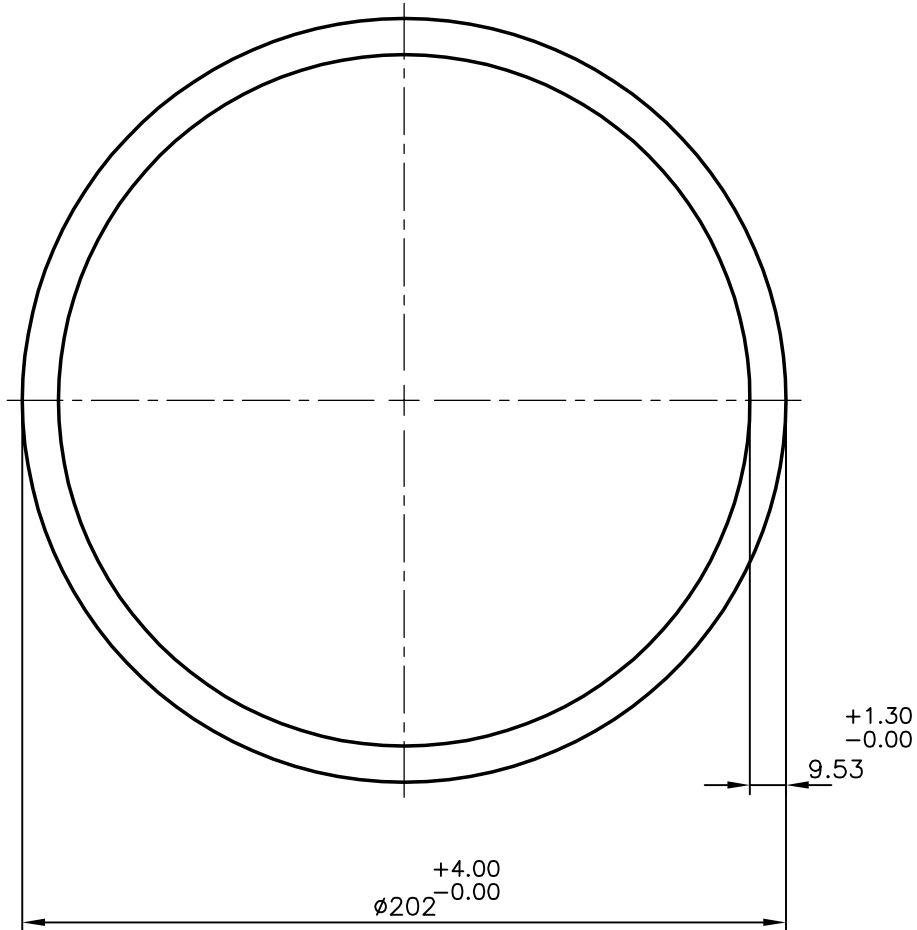


P-9901-1

S2597

13497



SYMBOL OF QUALITY
AN ISO 9001 COMPANY

JINDAL ALUMINIUM LTD.
BANGALORE-560073 (INDIA)

	NAME	DATE
DRAWN	J.P.KAUSHIK	16-04-2010
CHECKED		
APPROVED	S.S.GARG	19-07-2010
SCALE		1:2
AREA mm ²		5762.432
PERIMETER mm.		634.602
WEIGHT kg/m		15.559
DRAWING No.	SECTION No.	
P-9901-1	-	
S2597	S2597	
13497	13497	

1. ALL DIMENSIONS ARE IN mm.
2. ROUND OFF ALL SHARP CORNERS WITH 0.40 mm.
3. TOLERANCES WILL BE AS PER IS:2673-2002, UNLESS OTHERWISE SPECIFIED

PARTY'S NAME	ABB LIMITED, VADODARA
PARTY'S DRAWING No.	AS PER SPECIFICATION
ALLOY & TEMPER	6101 T6
DESCRIPTION	ROUND TUBE