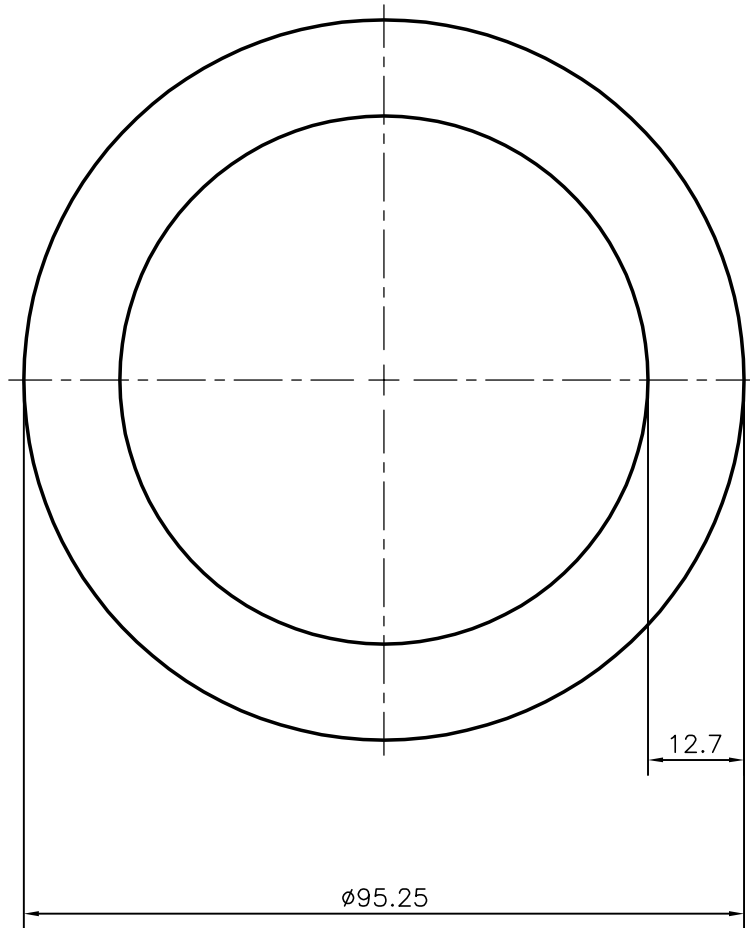


P-10775

13500



SYMBOL OF QUALITY
AN ISO 9001 COMPANY

JINDAL ALUMINIUM LTD.
BANGALORE-560073 (INDIA)

| | NAME | DATE |
|----------------------|-------------|------------|
| DRAWN | J.P.KAUSHIK | 14-02-2011 |
| CHECKED | | |
| APPROVED | S.S.GARG | 22-02-2011 |
| SCALE | | 1:1 |
| AREA mm ² | | 3293.599 |
| PERIMETER mm. | | 299.237 |
| WEIGHT kg/m | | 8.893 |
| DRAWING No. | SECTION No. | |
| P-10775 | - | |
| 13500 | 13500 | |
| | | |
| | | |

1. ALL DIMENSIONS ARE IN mm.
2. ROUND OFF ALL SHARP CORNERS WITH 0.40 mm.
3. TOLERANCES WILL BE AS PER, BS:EN-755-9 UNLESS OTHERWISE SPECIFIED

| | |
|---------------------|---------------------------------|
| PARTY'S NAME | JADE NON FERROUS METALS LTD.,UK |
| PARTY'S DRAWING No. | AS PER SPECIFICATION |
| ALLOY & TEMPER | 6082 T6 |
| DESCRIPTION | ROUND TUBE |