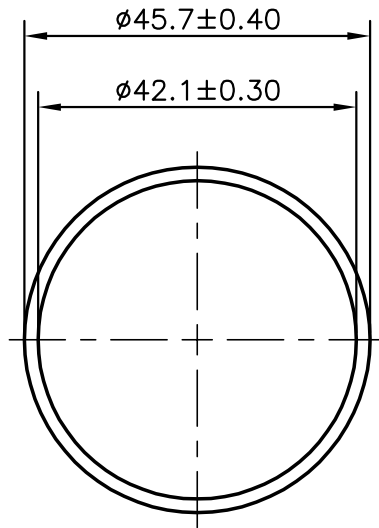


P-10886-1

13505



SYMBOL OF QUALITY
AN ISO 9001 COMPANY

JINDAL ALUMINIUM LTD.
BANGALORE-560073 (INDIA)

1. ALL DIMENSIONS ARE IN mm.
2. ROUND OFF ALL SHARP CORNERS WITH 0.40 mm.
3. TOLERANCES WILL BE AS PER BS:EN-755-9, UNLESS OTHERWISE SPECIFIED

		NAME	DATE
PARTY'S NAME	WENTEX BV, NETHERLANDS	DRAWN R.D.Sharma	19-04-2011
PARTY'S DRAWING No.	AS PER SPECIFICATION	CHECKED	
ALLOY & TEMPER	6063 T6	APPROVED S.S.GARG	27-04-2011
DESCRIPTION	ROUND TUBE	SCALE	1:1
		AREA mm ²	248.249
		PERIMETER mm.	143.571
		WEIGHT kg/m	0.670
		DRAWING No.	SECTION No.
		P-10886-1	-
		13505	13505