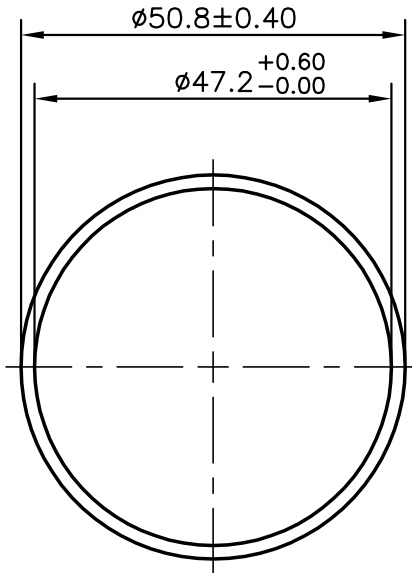


P-10887-1

13506



SYMBOL OF QUALITY  
AN ISO 9001 COMPANY

**JINDAL ALUMINIUM LTD.**  
**BANGALORE-560073 (INDIA)**

	NAME	DATE
DRAWN	R.D.Sharma	19-04-2011
CHECKED		
APPROVED	S.S.GARG	27-04-2011
SCALE		1:1
AREA mm <sup>2</sup>		277.088
PERIMETER mm.		159.593
WEIGHT kg/m		0.748
DRAWING No.		SECTION No.
P-10887-1		-
13506		13506

1. ALL DIMENSIONS ARE IN mm.
2. ROUND OFF ALL SHARP CORNERS WITH 0.40 mm.
3. TOLERANCES WILL BE AS PER BS:EN-755-9, UNLESS OTHERWISE SPECIFIED

PARTY'S NAME	WENTEX BV, NETHERLANDS
PARTY'S DRAWING No.	AS PER SPECIFICATION
ALLOY & TEMPER	6063 T6
DESCRIPTION	ROUND TUBE