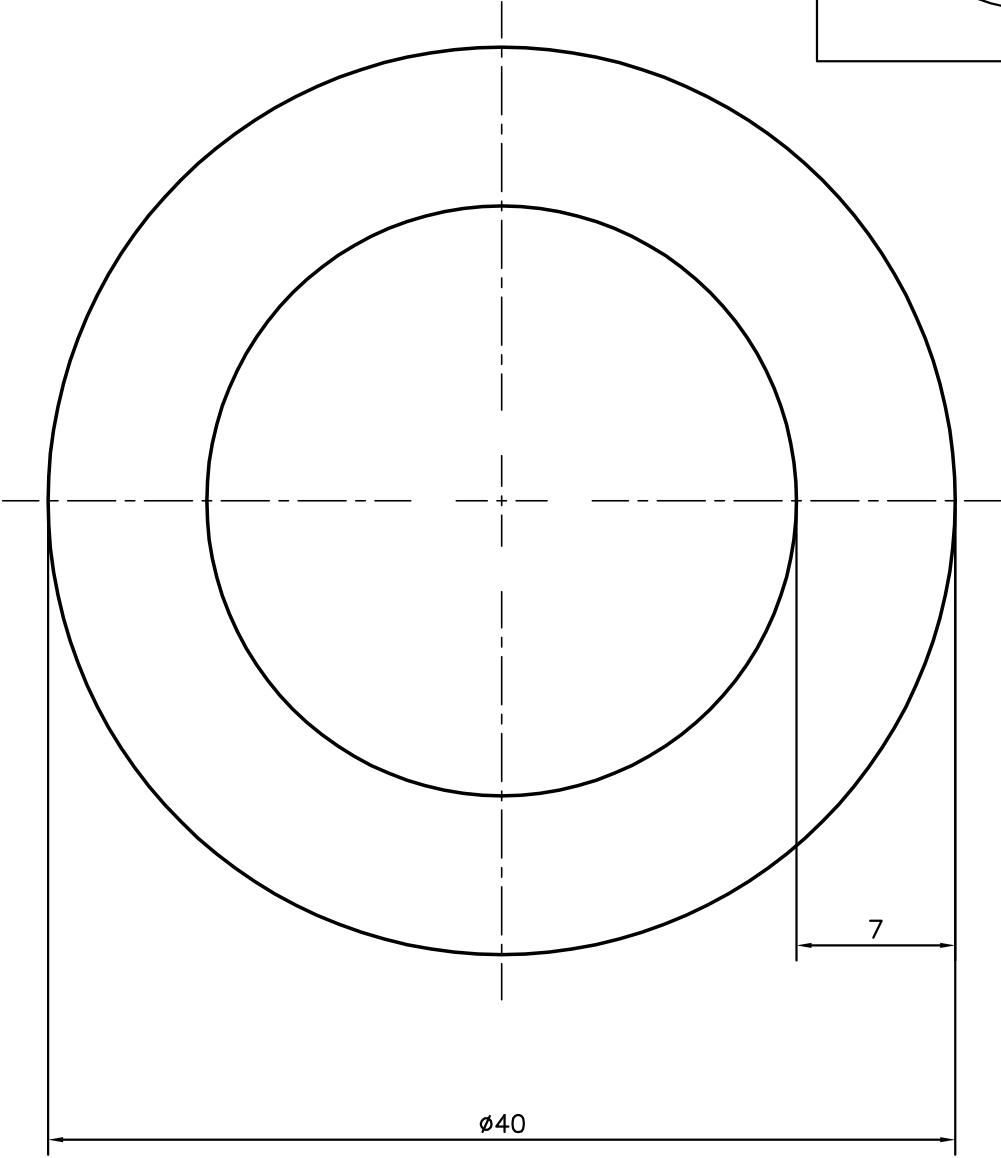
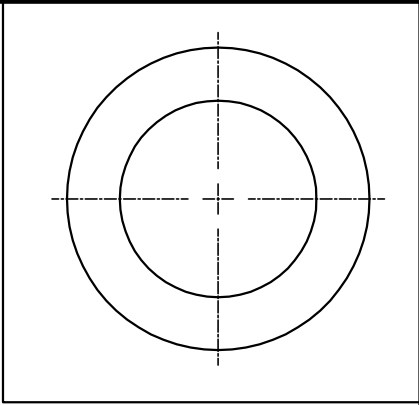


P-10672
S2825
13507



JINDAL ALUMINIUM LTD.
BANGALORE-560073 (INDIA)

	NAME	DATE
DRAWN	J.P.KAUSHIK	25-12-2010
CHECKED		
APPROVED	S.S.GARG	11-01-2011
SCALE		3:1
AREA mm ²		725.708
PERIMETER mm.		125.664
WEIGHT kg/m		1.959
DRAWING No.	SECTION No.	
P-10672	-	
S2825	S2825	
13507	13507	

1. ALL DIMENSIONS ARE IN mm.
2. ROUND OFF ALL SHARP CORNERS WITH 0.40 mm.
3. TOLERANCES WILL BE AS PER, IS:2673-2002 UNLESS OTHERWISE SPECIFIED

PARTY'S NAME	AREVA T & D INDIA LTD., CHENNAI
PARTY'S DRAWING No.	AS PER SPECIFICATION
ALLOY & TEMPER	6060 T6
DESCRIPTION	ROUND TUBE