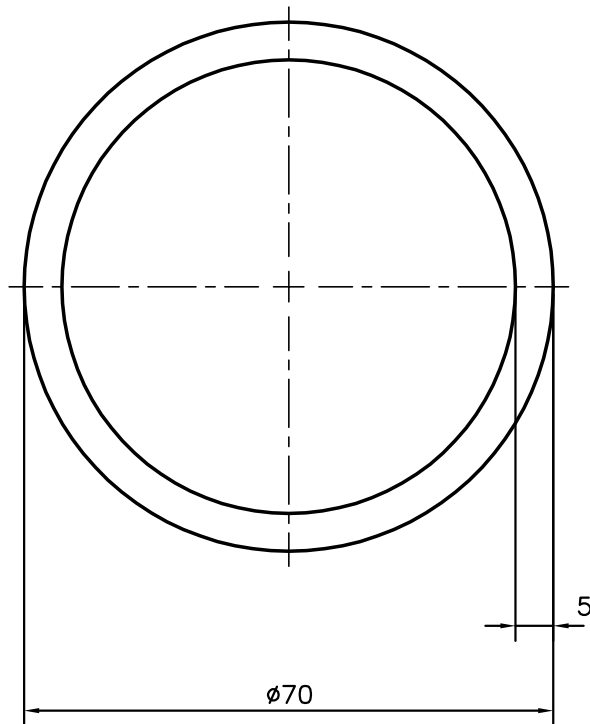


P-10644

S2821

13508



SYMBOL OF QUALITY
AN ISO 9001 COMPANY

JINDAL ALUMINIUM LTD.
BANGALORE-560073 (INDIA)

	NAME	DATE
DRAWN	J.P.KAUSHIK	15-12-2010
CHECKED		
APPROVED	S.S.GARG	11-01-2011
SCALE		1:1
AREA mm ²		1021.018
PERIMETER mm.		219.911
WEIGHT kg/m		2.757
DRAWING No.	SECTION No.	
P-10644	-	
S2821	S2821	
13508	13508	

1. ALL DIMENSIONS ARE IN mm.
2. ROUND OFF ALL SHARP CORNERS WITH 0.40 mm.
3. TOLERANCES WILL BE AS PER, IS:2673-2002 UNLESS OTHERWISE SPECIFIED

PARTY'S NAME AREVA T&D INDIA LTD., CHENNAI

PARTY'S DRAWING No. TU-3800

ALLOY & TEMPER 6060 T6

DESCRIPTION ROUND TUBE