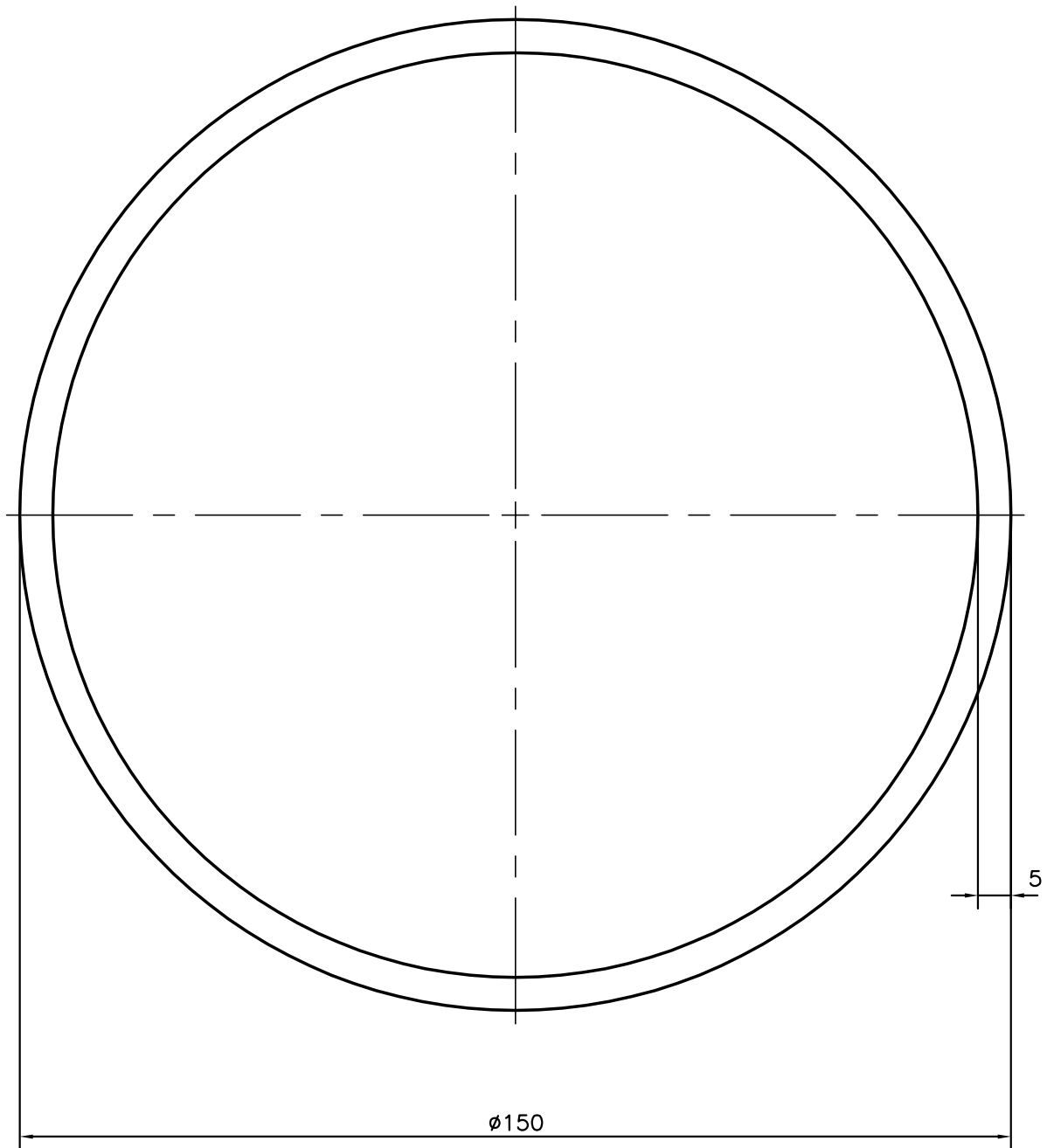


P-10645

S2822

13509



SYMBOL OF QUALITY  
AN ISO 9001 COMPANY

**JINDAL ALUMINIUM LTD.**  
**BANGALORE-560073 (INDIA)**

	NAME	DATE
DRAWN	J.P.KAUSHIK	15-12-2010
CHECKED		
APPROVED	S.S.GARG	11-01-2011
SCALE		1:1
AREA mm <sup>2</sup>		2277.655
PERIMETER mm.		471.239
WEIGHT kg/m		6.15
DRAWING No.	SECTION No.	
P-10645	-	
S2822	S2822	
13509	13509	

1. ALL DIMENSIONS ARE IN mm.
2. ROUND OFF ALL SHARP CORNERS WITH 0.40 mm.
3. TOLERANCES WILL BE AS PER, IS:2673-2002 UNLESS OTHERWISE SPECIFIED

PARTY'S NAME	AREVA T&D INDIA LTD., CHENNAI
PARTY'S DRAWING No.	TU-3731
ALLOY & TEMPER	6060 T6
DESCRIPTION	ROUND TUBE