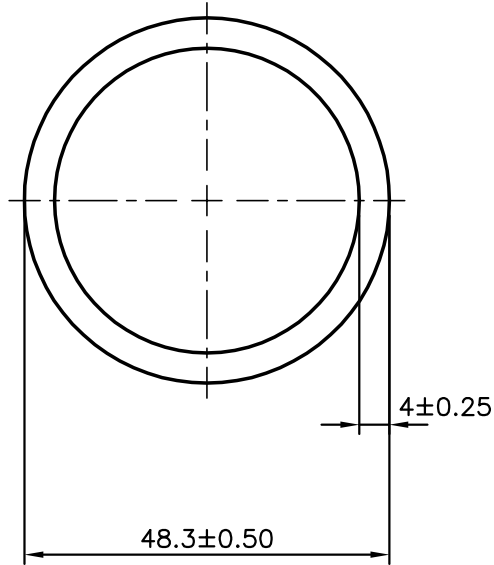



P-9139

S2103

13510



 SYMBOL OF QUALITY AN ISO 9001 COMPANY	JINDAL ALUMINIUM LTD. BANGALORE-560073 (INDIA)		NAME	DATE
		DRAWN	J.P.KAUSHIK	28-03-2009
1. ALL DIMENSIONS ARE IN mm. 2. ROUND OFF ALL SHARP CORNERS WITH 0.30 mm. 3. TOLERANCES WILL BE AS PER IS:2673-2002 UNLESS OTHERWISE SPECIFIED		CHECKED		
		APPROVED		
		SCALE		1:1
PARTY'S NAME TURBO TOOLS (P) LTD., LUDHIANA		AREA mm ²		556.69
		PERIMETER mm.		151.739
PARTY'S DRAWING No. AS PER SPECIFICATION		WEIGHT kg/m		1.503
		DRAWING No.		SECTION No.
ALLOY & TEMPER 6005 T6		P-9139		-
		S2103		S2103
DESCRIPTION ROUND TUBE		13510		13510