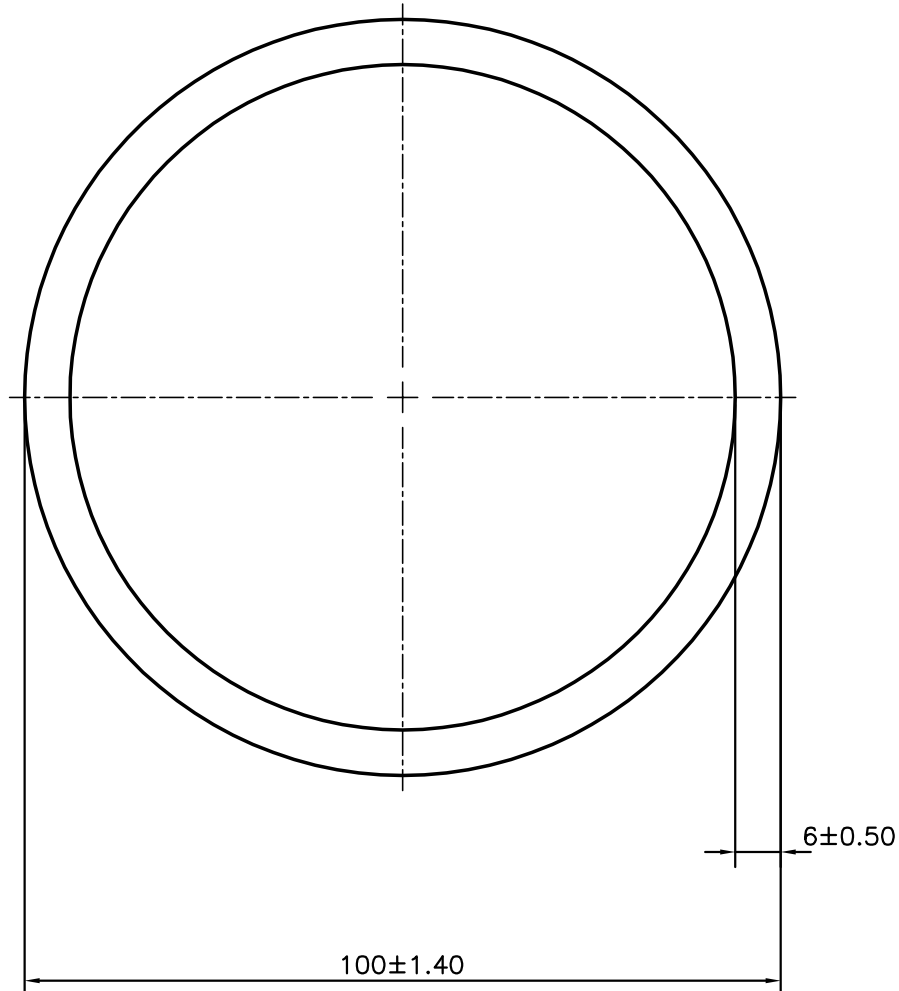



P-11277

13520



✎ **ALLOY CHANGED FROM 6101 T6 TO 6101B T6
 AS PER CUSTOMER REQUIREMENT.
 ON DATED 15/07/2013.**

 SYMBOL OF QUALITY AN ISO 9001 COMPANY	JINDAL ALUMINIUM LTD. BANGALORE-560073 (INDIA)	NAME		DATE
		DRAWN	PARVESH	20-10-2011
1. ALL DIMENSIONS ARE IN mm. 2. ROUND OFF ALL SHARP CORNERS WITH 0.40 mm. 3. TOLERANCES WILL BE AS PER BS:EN-755-9 UNLESS OTHERWISE SPECIFIED		CHECKED		
		APPROVED	S.S.GARG	14-01-2012
PARTY'S NAME SAUDI NATIONAL CONTRACTING COMPANY L.L.C., SULTANATE OF OMAN, MIDDLE EAST		SCALE		1:1
		AREA mm ²		1771.858
PARTY'S DRAWING No. AS PER SPECIFICATION		PERIMETER mm.		314.159
		WEIGHT kg/m		4.784
ALLOY & TEMPER 6101B T6		DRAWING No.		P-11277
		SECTION No.		-
DESCRIPTION ROUND TUBE				13520
				13520