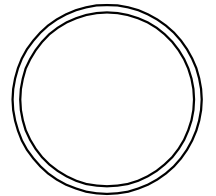


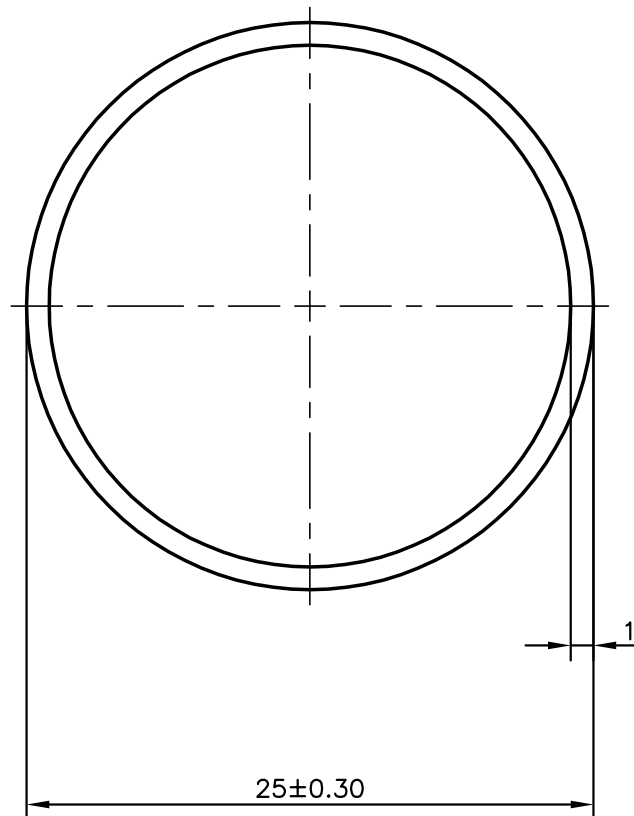
P-9533

S2325

13523



1:1



25±0.30

1



SYMBOL OF QUALITY
AN ISO 9001 COMPANY

JINDAL ALUMINIUM LTD.
BANGALORE-560073 (INDIA)

	NAME	DATE
DRAWN	J.P.KAUSHIK	12-10-2009
CHECKED		
APPROVED		

1. ALL DIMENSIONS ARE IN mm.
2. ROUND OFF ALL SHARP CORNERS WITH 0.50 mm.
3. TOLERANCES WILL BE AS PER IS:2673-2002 UNLESS OTHERWISE SPECIFIED

SCALE	3:1
AREA mm ²	75.398
PERIMETER mm.	78.54
WEIGHT kg/m	0.204

PARTY'S NAME	KIRLOSKAR TOYODA TEXTILE MACHINERY PVT. LTD., BANGALORE
--------------	---

DRAWING No.	SECTION No.
-------------	-------------

PARTY'S DRAWING No.	R3615-11010
---------------------	-------------

P-9533

-

ALLOY & TEMPER	6063 T5
----------------	---------

S2325

S2325

13523

13523

DESCRIPTION	ROUND TUBE
-------------	------------