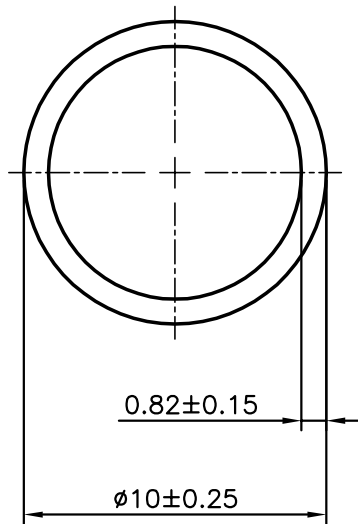


P-9680-1

S2420

13524



SYMBOL OF QUALITY  
AN ISO 9001 COMPANY

**JINDAL ALUMINIUM LTD.**  
*BANGALORE-560073 (INDIA)*

	NAME	DATE
DRAWN	J.P.KAUSHIK	17-12-2009
CHECKED		
APPROVED		

1. ALL DIMENSIONS ARE IN mm.
2. ROUND OFF ALL SHARP CORNERS WITH 0.40 mm.
3. TOLERANCES WILL BE AS PER IS:2673-2002 UNLESS OTHERWISE SPECIFIED

SCALE	4:1
AREA mm <sup>2</sup>	23.649
PERIMETER mm.	31.416
WEIGHT kg/m	0.064

PARTY'S NAME	HYDRO TECHNIQUE, MUMBAI	DRAWING No.	P-9680-1	SECTION No.	-
PARTY'S DRAWING No.	AS PER SPECIFICATION	S2420	S2420		
ALLOY & TEMPER	HE9 WP	13524	13524		
DESCRIPTION	ROUND TUBE				