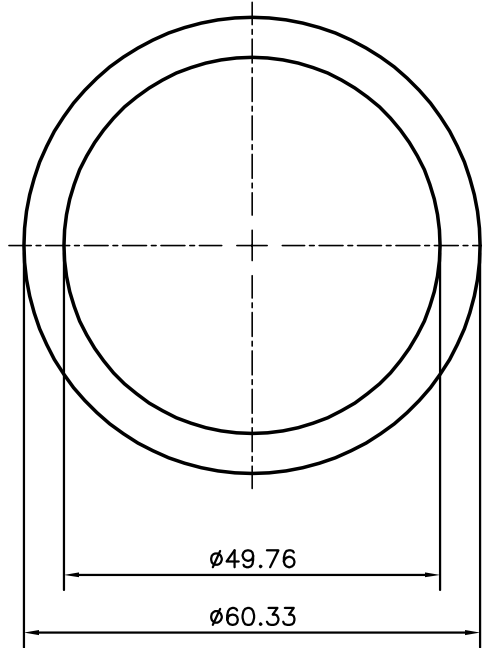


P-11614

13525



SYMBOL OF QUALITY
AN ISO 9001 COMPANY

JINDAL ALUMINIUM LTD.
BANGALORE-560073 (INDIA)

	NAME	DATE
DRAWN	<i>PARVESH</i>	24-03-2012
CHECKED		
APPROVED	S.S.GARG	30-03-2012
SCALE		1:1
AREA mm ²		913.93
PERIMETER mm.		189.532
WEIGHT kg/m		2.468
DRAWING No.		SECTION No.
P-11614		-
13525		13525

1. ALL DIMENSIONS ARE IN mm.
2. ROUND OFF ALL SHARP CORNERS WITH 0.40 mm.
3. TOLERANCES WILL BE AS PER ANSI H35.2-2009 , UNLESS OTHERWISE SPECIFIED

PARTY'S NAME	PROSOURCE INDL. SOLUTIONS, CANADA
PARTY'S DRAWING No.	AS PER DRAWING
ALLOY & TEMPER	6063 T5
DESCRIPTION	ROUND TUBE