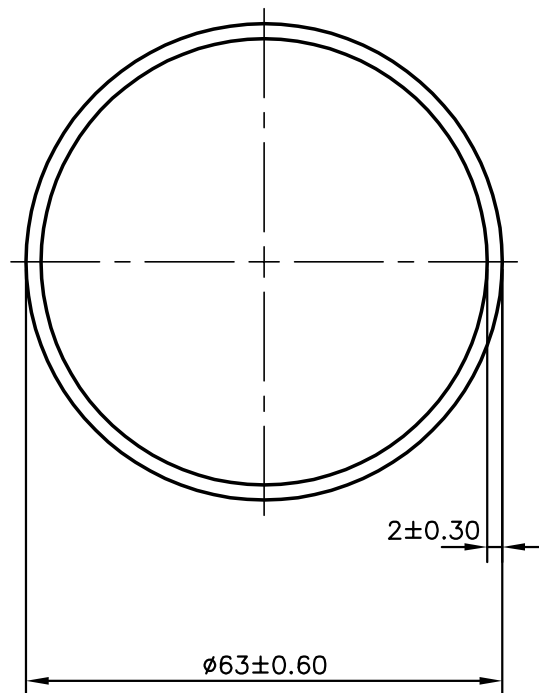


P-9827

S2459

13526



SYMBOL OF QUALITY
AN ISO 9001 COMPANY

JINDAL ALUMINIUM LTD.
BANGALORE-560073 (INDIA)

	NAME	DATE
DRAWN	J.P.KAUSHIK	18-02-2010
CHECKED		
APPROVED	S.S.GARG	19-02-2010
SCALE		1:1
AREA mm ²		383.274
PERIMETER mm.		197.92
WEIGHT kg/m		1.035
DRAWING No.	SECTION No.	
P-9827	-	
S2459	S2459	
13526	13526	

1. ALL DIMENSIONS ARE IN mm.
2. ROUND OFF ALL SHARP CORNERS WITH 0.40 mm.
3. TOLERANCES WILL BE AS PER IS:2673-2002, UNLESS OTHERWISE SPECIFIED

PARTY'S NAME	EMCO & CO., CHENNAI
PARTY'S DRAWING No.	AS PER SPECIFICATION
ALLOY & TEMPER	6063 T5
DESCRIPTION	ROUND TUBE