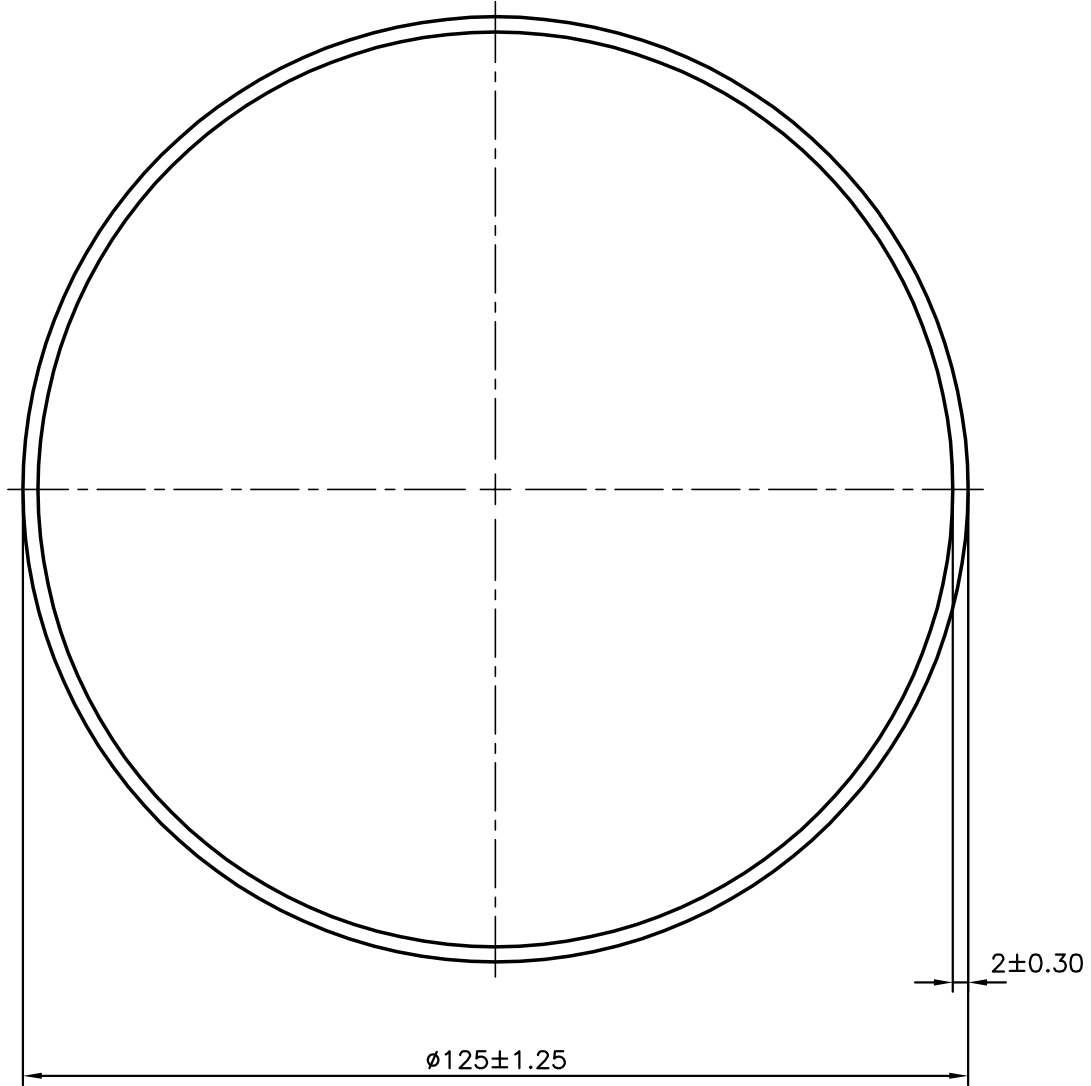



P-10096

S2553

13533



 SYMBOL OF QUALITY AN ISO 9001 COMPANY	JINDAL ALUMINIUM LTD. <i>BANGALORE-560073 (INDIA)</i>	NAME		DATE
		DRAWN	J.P.KAUSHIK	04-06-2010
1. ALL DIMENSIONS ARE IN mm. 2. ROUND OFF ALL SHARP CORNERS WITH 0.40 mm. 3. TOLERANCES WILL BE AS PER IS:2673-2002, UNLESS OTHERWISE SPECIFIED		CHECKED		
		APPROVED	S.S.GARG	08-06-2010
PARTY'S NAME SINDHU ENGINEERING COMPANY, BANGALORE		SCALE		1:1
		AREA mm ²		772.832
PARTY'S DRAWING No. AS PER SPECIFICATION		PERIMETER mm.		392.699
		WEIGHT kg/m		2.087
ALLOY & TEMPER 6063 T6		DRAWING No.	SECTION No.	
		P-10096	-	
DESCRIPTION ROUND TUBE		S2553	S2553	
		13533	13533	