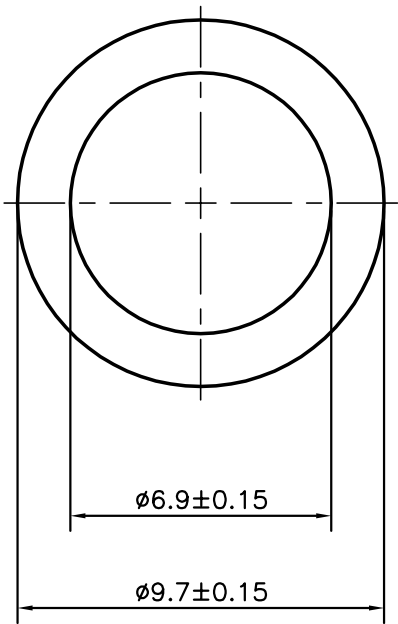
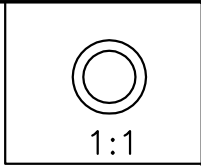


P-10331-2
S2677
13536



JINDAL ALUMINIUM LTD.
BANGALORE-560073 (INDIA)

	NAME	DATE
DRAWN	J.P.KAUSHIK	31-08-2010
CHECKED		
APPROVED	S.S.GARG	02-09-2010

1. ALL DIMENSIONS ARE IN mm.
2. ROUND OFF ALL SHARP CORNERS WITH 0.4 mm.
3. TOLERANCES WILL BE AS PER IS:2673-2002 UNLESS OTHERWISE SPECIFIED

SCALE	5:1
AREA mm ²	36.505
PERIMETER mm.	30.473
WEIGHT kg/m	0.099

PARTY'S NAME	GRIPPERS INC., MUMBAI
PARTY'S DRAWING No.	AS PER SPECIFICATION
ALLOY & TEMPER	E1E M
DESCRIPTION	ROUND TUBE

DRAWING No.	SECTION No.
P-10331-2	
S2677	S2677
13536	13536