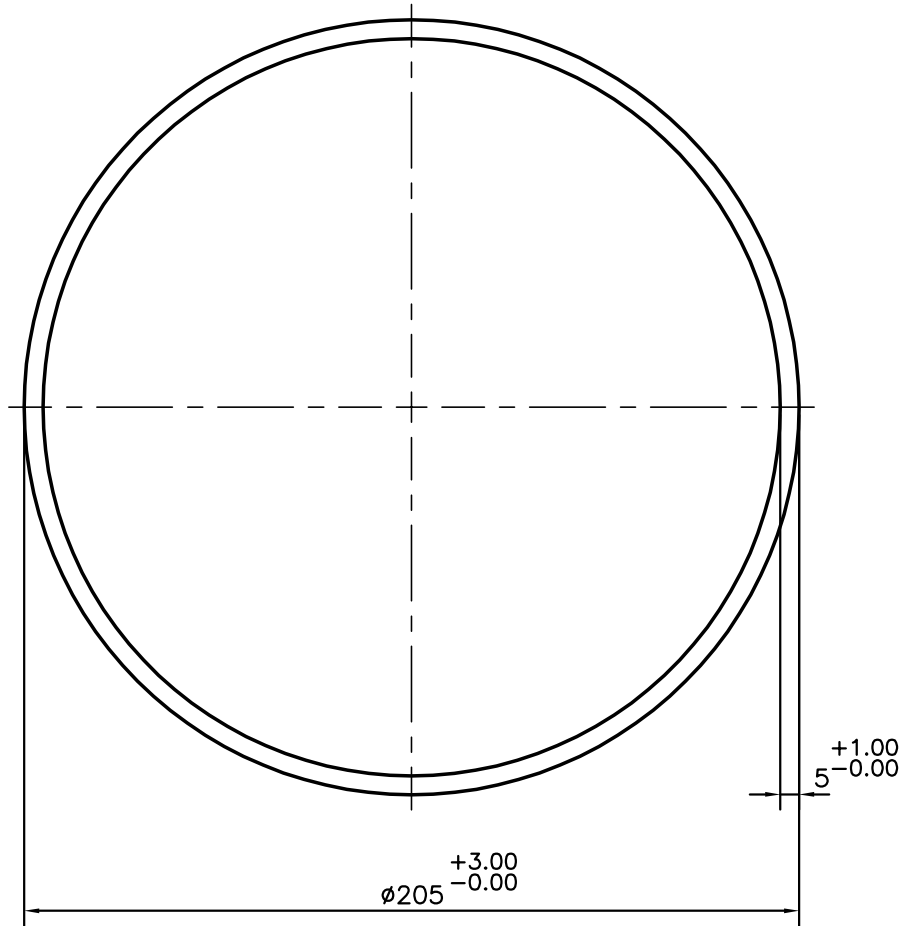



P-10328-1  
S2684  
13539

NOTE:- OVALITY SHOULD BE WITH IN 3 mm



 SYMBOL OF QUALITY AN ISO 9001 COMPANY	<b>JINDAL ALUMINIUM LTD.</b> BANGALORE-560073 (INDIA)	NAME		DATE	
		DRAWN	J.P.KAUSHIK	24-08-2010	
1. ALL DIMENSIONS ARE IN mm. 2. ROUND OFF ALL SHARP CORNERS WITH 0.4 mm. 3. TOLERANCES WILL BE AS PER IS:2673-2002 UNLESS OTHERWISE SPECIFIED		CHECKED			
		APPROVED	S.S.GARG	10-09-2010	
PARTY'S NAME		DASS HITACHI LTD., GHAZIBAD		SCALE	1:2
		PARTY'S DRAWING No.		AS PER SPECIFICATION	AREA mm <sup>2</sup>
ALLOY & TEMPER		64430 WP		PERIMETER mm.	644.026
		DESCRIPTION		ROUND TUBE	WEIGHT kg/m
				DRAWING No.	SECTION No.
				P-10328-1	
				S2684	S2684
				13539	13539