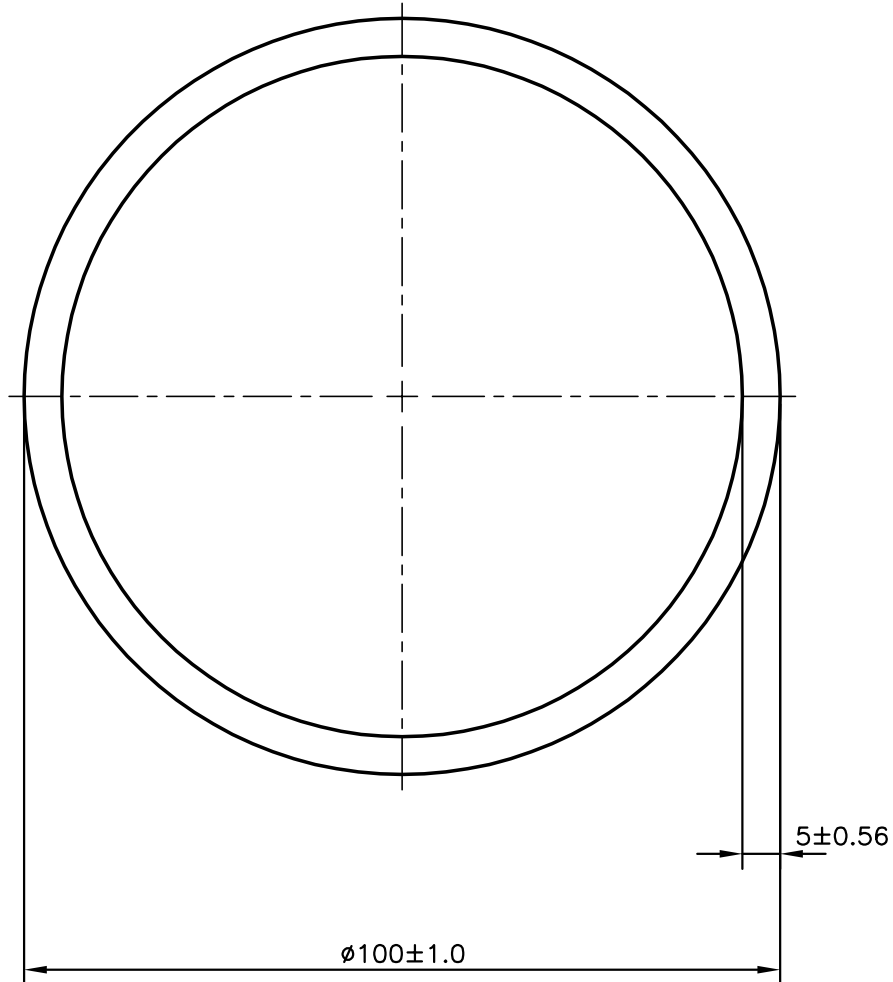


P-10491

S2729

13540



SYMBOL OF QUALITY
AN ISO 9001 COMPANY

JINDAL ALUMINIUM LTD.
BANGALORE-560073 (INDIA)

	NAME	DATE
DRAWN	J.P.KAUSHIK	13-10-2010
CHECKED		
APPROVED	S.S.GARG	19-10-2010
SCALE		1:1
AREA mm ²		1492.257
PERIMETER mm.		314.159
WEIGHT kg/m		4.029
DRAWING No.	SECTION No.	
P-10491	-	
S2729	S2729	
13540	13540	

1. ALL DIMENSIONS ARE IN mm.
2. ROUND OFF ALL SHARP CORNERS WITH 0.40 mm.
3. TOLERANCES WILL BE AS PER,IS:2673-2002 UNLESS OTHERWISE SPECIFIED

PARTY'S NAME	VENSUN TECO LINKS PVT. LTD., CHENNAI
PARTY'S DRAWING No.	AS PER SPECIFICATION
ALLOY & TEMPER	E-ALMGSI 0.5-F22/63401 WP
DESCRIPTION	ROUND TUBE