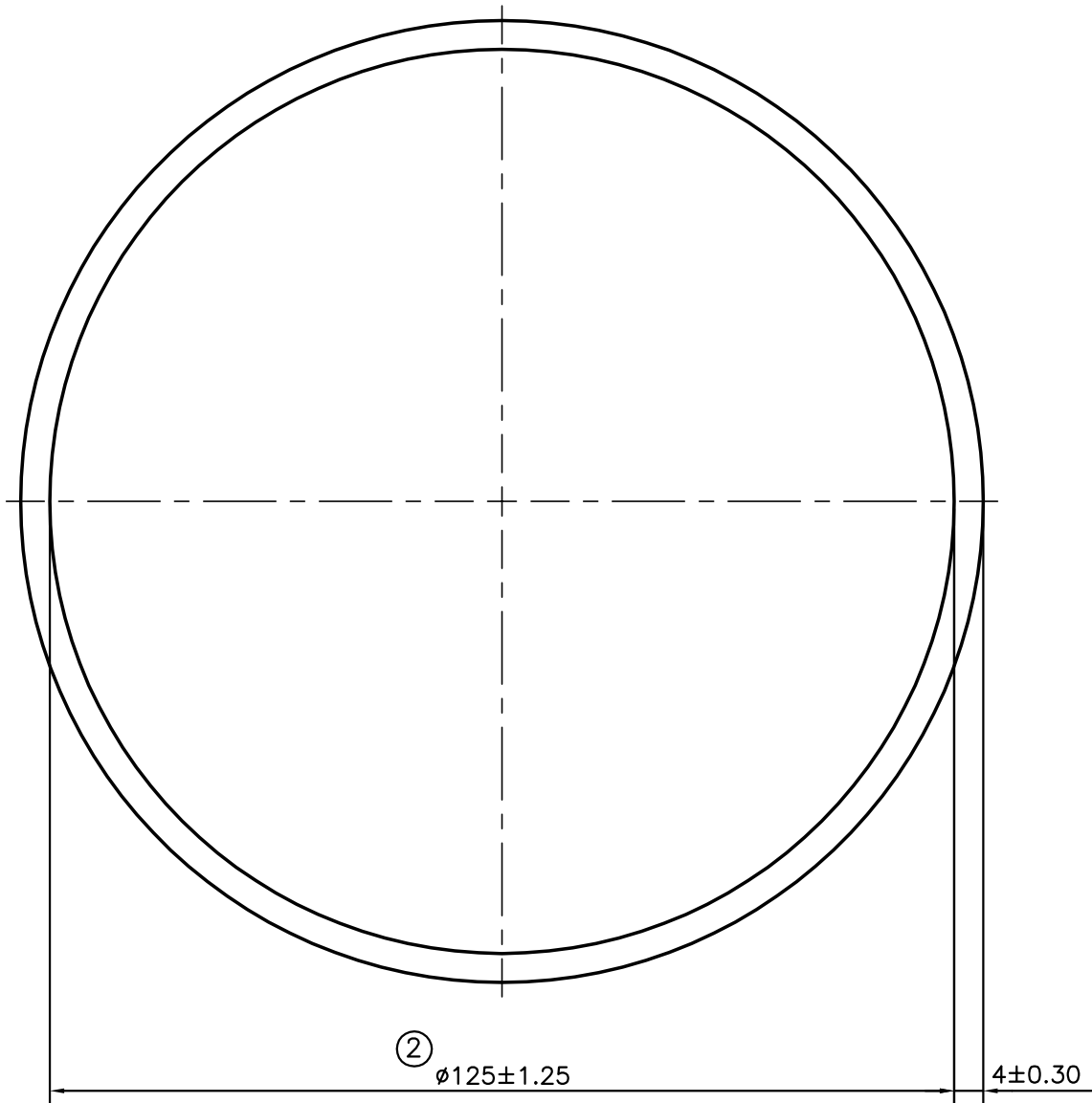



P-10379-1

S2711

13542



ISSUE-2
 TOLERANCE CHANGED FROM $\phi 125$ $\begin{matrix} +0.00 \\ -2.50 \end{matrix}$ TO $\phi 125$ $\begin{matrix} \pm 1.25 \\ \text{mm} \end{matrix}$

 SYMBOL OF QUALITY AN ISO 9001 COMPANY	JINDAL ALUMINIUM LTD. BANGALORE-560073 (INDIA)	NAME		DATE
		DRAWN	J.P.KAUSHIK	06-12-2010
1. ALL DIMENSIONS ARE IN mm. 2. ROUND OFF ALL SHARP CORNERS WITH 0.40 mm. 3. TOLERANCES WILL BE AS PER IS:2673-2002 UNLESS OTHERWISE SPECIFIED		CHECKED		
		APPROVED	S.S.GARG	09-12-2010
PARTY'S NAME		SCALE		1:1
		AREA mm ²		1621.062
PARTY'S DRAWING No.		PERIMETER mm.		417.832
		WEIGHT kg/m		4.377
ALLOY & TEMPER		DRAWING No.		SECTION No.
		P-10379-1		-
DESCRIPTION		S2711		S2711(ISSUE-2)
		13542		13542
ROUND TUBE				