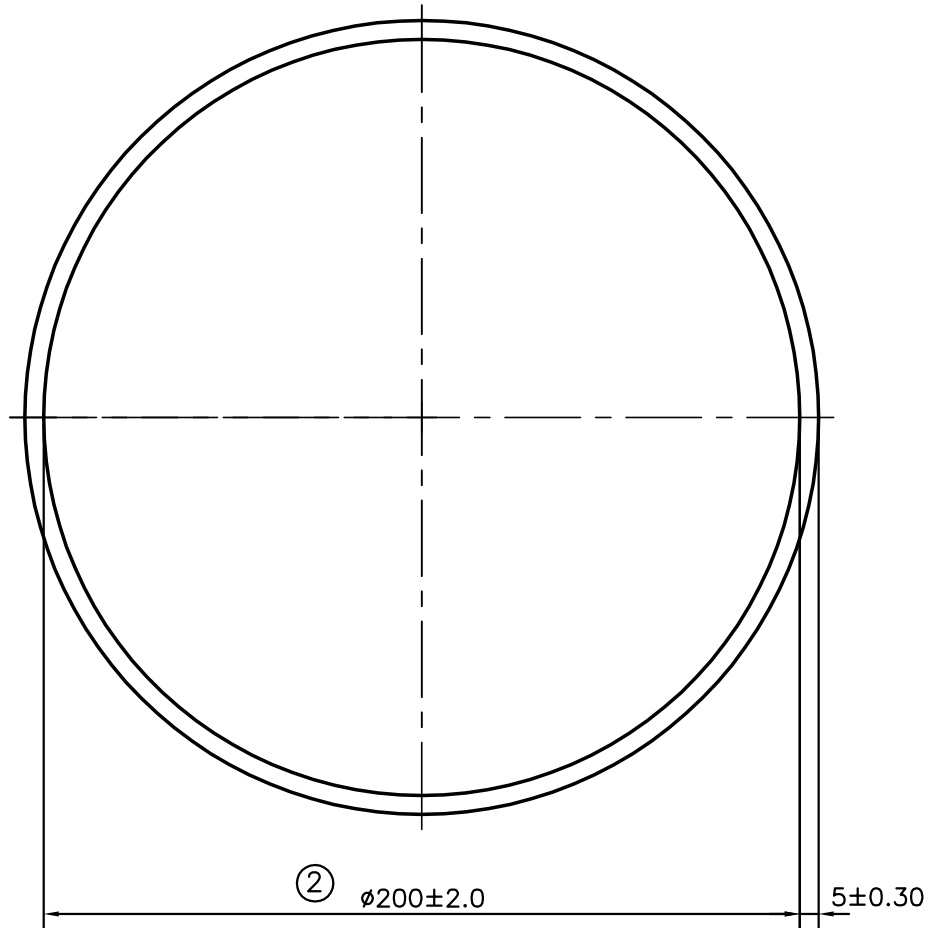


P-10382-1

S2714


13545



ISSUE-2

DIAMETER & TOLERANCE CHANGED FROM  $\phi 200.25^{+0.00}_{-4.00}$  TO  $\phi 200^{\pm 2.0}$  mm

WEIGHT ALSO CHANGED FROM 8.705 kg/M TO 8.694 kg/M

 SYMBOL OF QUALITY AN ISO 9001 COMPANY	<b>JINDAL ALUMINIUM LTD.</b> BANGALORE-560073 (INDIA)	DRAWN	J.P.KAUSHIK	06-12-2010
		CHECKED		
1. ALL DIMENSIONS ARE IN mm. 2. ROUND OFF ALL SHARP CORNERS WITH 0.40 mm. 3. TOLERANCES WILL BE AS PER IS:2673-2002 UNLESS OTHERWISE SPECIFIED		APPROVED	S.S.GARG	09-12-2010
		SCALE		0.5:1
PARTY'S NAME AIRMAX PNEUMATICS LTD., AHMEDABAD		AREA mm <sup>2</sup>		3220.132
		PERIMETER mm.		659.734
PARTY'S DRAWING No. CYL-RND-200-1		WEIGHT kg/m		8.694
		DRAWING No.		SECTION No.
ALLOY & TEMPER 6063 T6		P-10382-1		-
		S2714		S2714(ISSUE-2)
DESCRIPTION ROUND TUBE		13545		13545