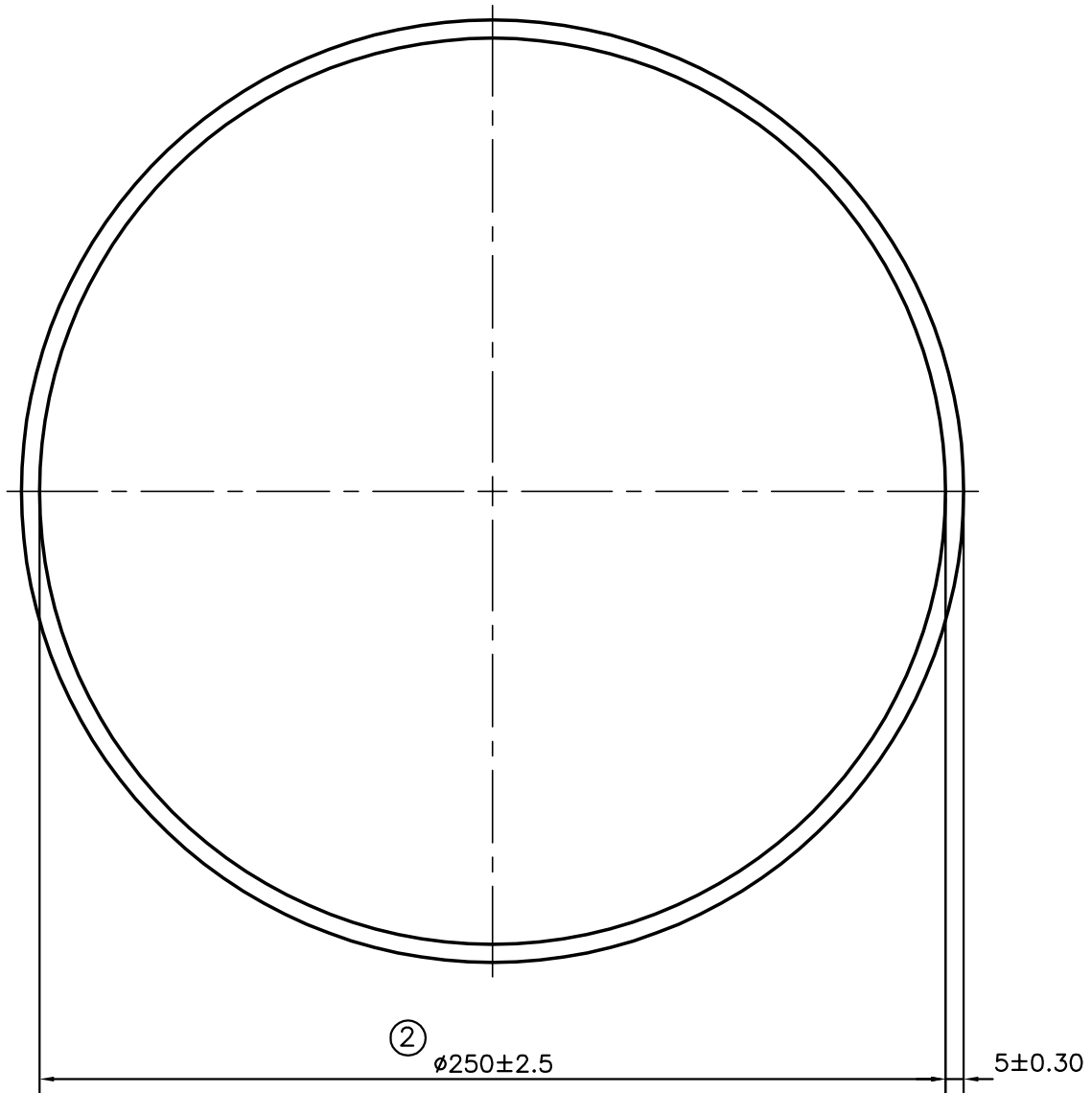


P-10383-1

S2715


13546



ISSUE-2

DIAMETER & TOLERANCE CHANGED FROM  $\phi 250.25^{+0.00}_{-5.00}$  TO  $\phi 250$  mm

WEIGHT ALSO CHANGED FROM 10.826 kg/M TO 10.815 kg/M

 SYMBOL OF QUALITY AN ISO 9001 COMPANY	<b>JINDAL ALUMINIUM LTD.</b> BANGALORE-560073 (INDIA)		NAME	DATE
		DRAWN	J.P.KAUSHIK	06-12-2010
1. ALL DIMENSIONS ARE IN mm. 2. ROUND OFF ALL SHARP CORNERS WITH 0.40 mm. 3. TOLERANCES WILL BE AS PER IS:2673-2002 UNLESS OTHERWISE SPECIFIED		CHECKED		
		APPROVED	S.S.GARG	09-12-2010
PARTY'S NAME AIRMAX PNEUMATICS LTD., AHMEDABAD		SCALE		0.5:1
		AREA mm <sup>2</sup>		4005.531
PARTY'S DRAWING No. CYL-RND-250-1		PERIMETER mm.		816.814
		WEIGHT kg/m		10.815
ALLOY & TEMPER 6063 T6		DRAWING No.		P-10383-1
		SECTION No.		-
DESCRIPTION ROUND TUBE		S2715		S2715(ISSUE-2)
		13546		13546