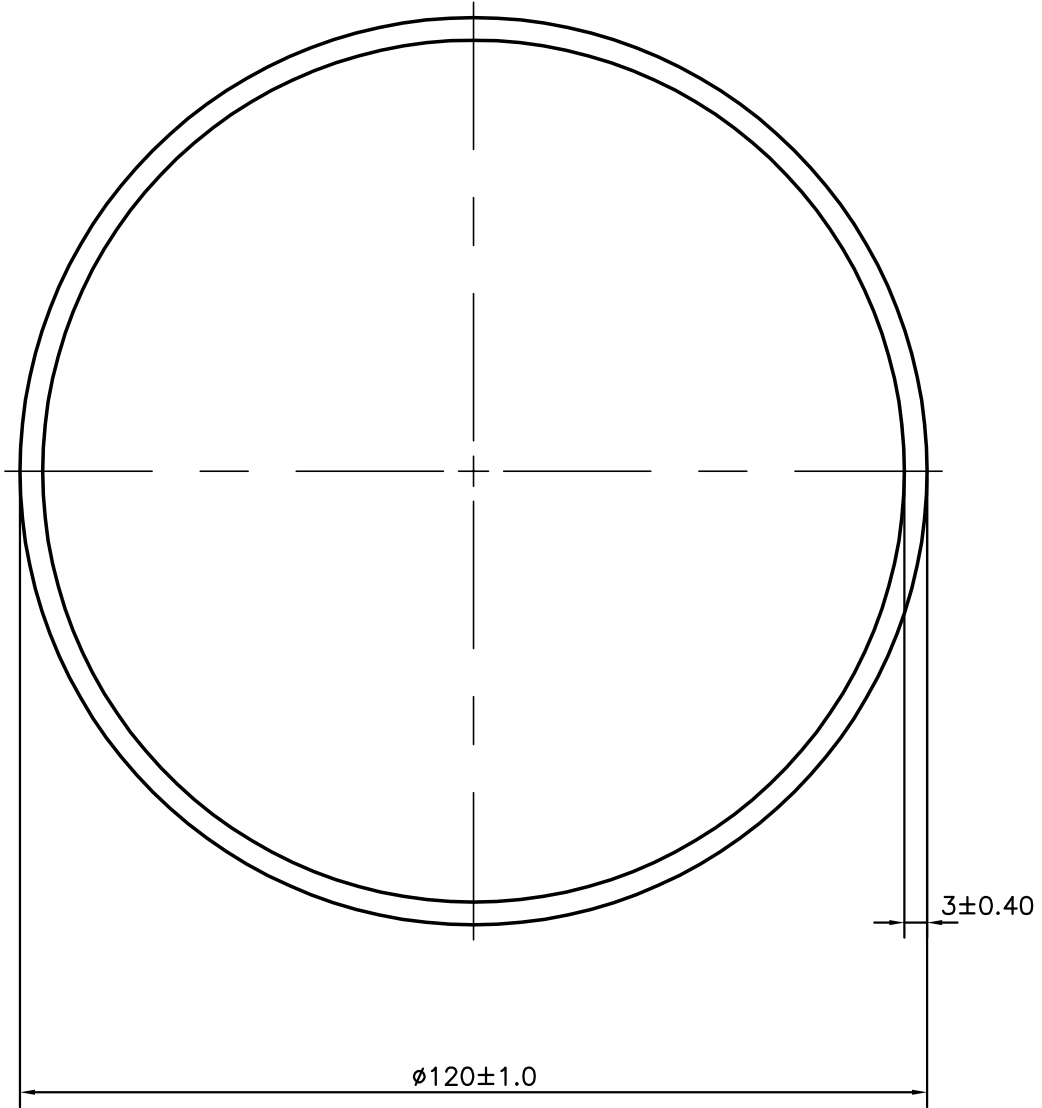


P-10583-1

S2772

13548



OVALITY ± 1.5 mm



SYMBOL OF QUALITY
AN ISO 9001 COMPANY

JINDAL ALUMINIUM LTD.
BANGALORE-560073 (INDIA)

	NAME	DATE
DRAWN	J.P.KAUSHIK	25-11-2010
CHECKED		
APPROVED	J.N.RAI	26-11-2010
SCALE		1:1
AREA mm ²		1102.699
PERIMETER mm.		376.991
WEIGHT kg/m		2.977
DRAWING No.		SECTION No.
P-10583-1		-
S2772		S2772
13548		13548

1. ALL DIMENSIONS ARE IN mm.
2. ROUND OFF ALL SHARP CORNERS WITH 0.40 mm.
3. TOLERANCES WILL BE AS PER,IS:2673-2002 UNLESS OTHERWISE SPECIFIED

PARTY'S NAME	SUNSHINE TECHNOLOGIES, BANGALORE
PARTY'S DRAWING No.	AS PER SPECIFICATION
ALLOY & TEMPER	HE9 'M'
DESCRIPTION	ROUND TUBE