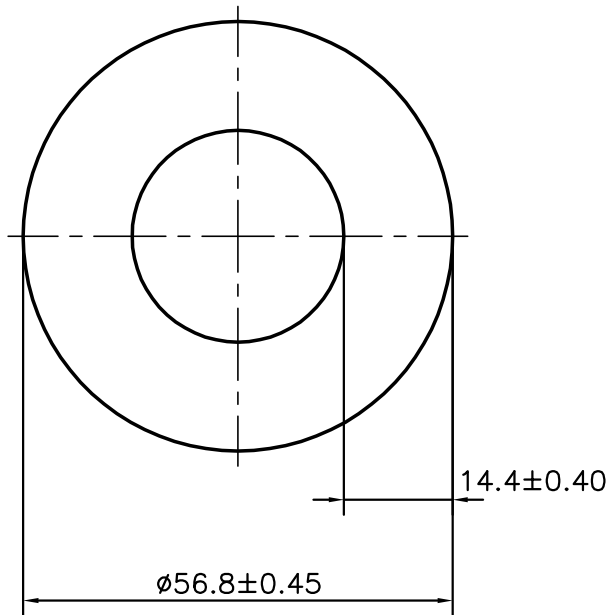


P-12295

S3578

13556



SYMBOL OF QUALITY
AN ISO 9001 COMPANY

JINDAL ALUMINIUM LTD.
BANGALORE-560073 (INDIA)

	NAME	DATE
DRAWN	SRIVATHSA	04-12-2012
CHECKED		
APPROVED	B.NATARAJA	07-12-2012
SCALE		1:1
AREA mm ²		1918.131
PERIMETER mm.		178.442
WEIGHT kg/m		5.179
DRAWING No.	SECTION No.	
P-12295	-	
S3578	S3578	
13556	13556	

1. ALL DIMENSIONS ARE IN mm.
2. ROUND OFF ALL SHARP CORNERS WITH 0.40 mm.
3. TOLERANCES WILL BE AS PER IS :2673:2002 , UNLESS OTHERWISE SPECIFIED

PARTY'S NAME	GLOBE COMPONENTS PVT. LTD., CHENNAI
PARTY'S DRAWING No.	AS PER SPECIFICATION
ALLOY & TEMPER	63400 WP
DESCRIPTION	ROUND TUBE