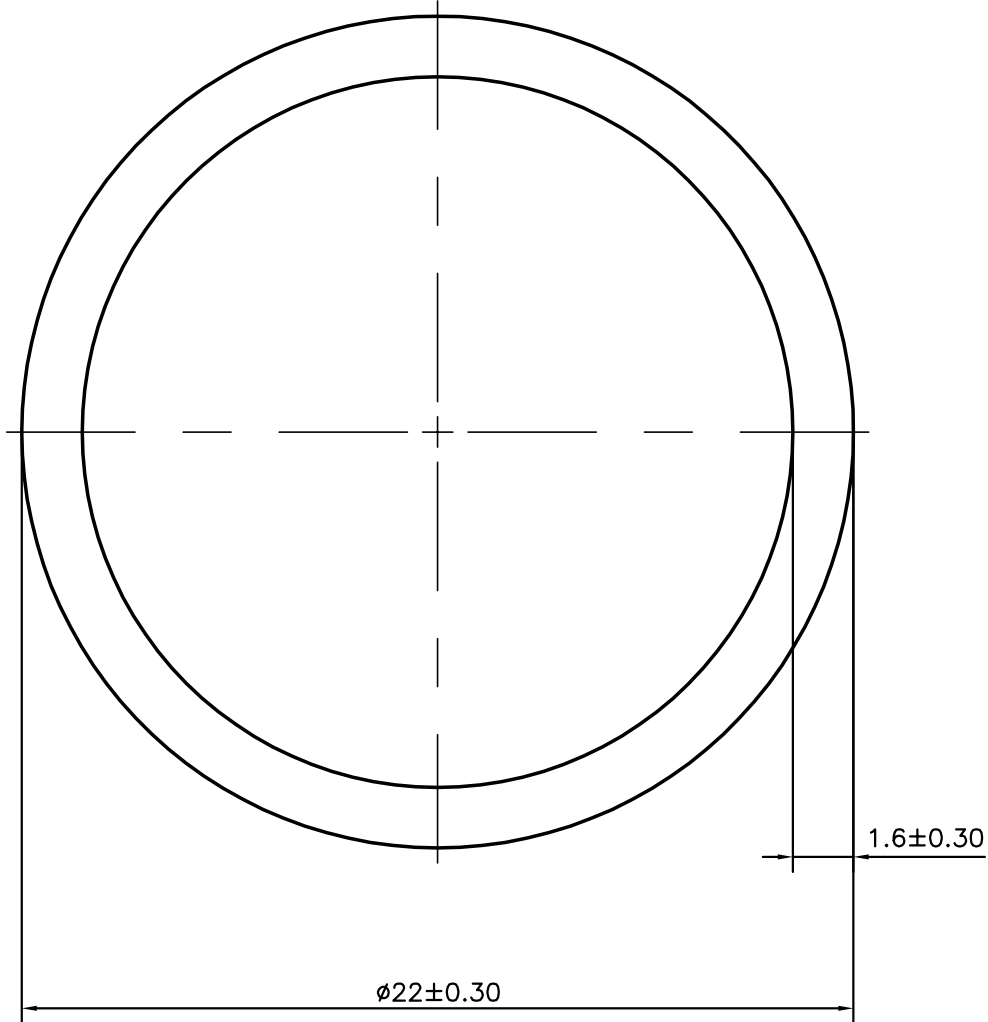
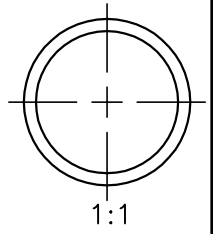


P-10578

S2826

13561



SYMBOL OF QUALITY  
AN ISO 9001 COMPANY

**JINDAL ALUMINIUM LTD.**  
**BANGALORE-560073 (INDIA)**

	NAME	DATE
DRAWN	J.P.KAUSHIK	23-11-2010
CHECKED		
APPROVED	S.S.GARG	17-01-2011
SCALE		5:1
AREA mm <sup>2</sup>		102.542
PERIMETER mm.		69.115
WEIGHT kg/m		0.277
DRAWING No.		SECTION No.
P-10578		-
S2826		S2826
13561		13561

1. ALL DIMENSIONS ARE IN mm.
2. ROUND OFF ALL SHARP CORNERS WITH 0.40 mm.
3. TOLERANCES WILL BE AS PER,IS:2673-2002 UNLESS OTHERWISE SPECIFIED

PARTY'S NAME WEBCOT-REHAID, COIMBATORE

PARTY'S DRAWING No. AS PER SPECIFICATION

ALLOY & TEMPER 6063 T5

DESCRIPTION ROUND TUBE