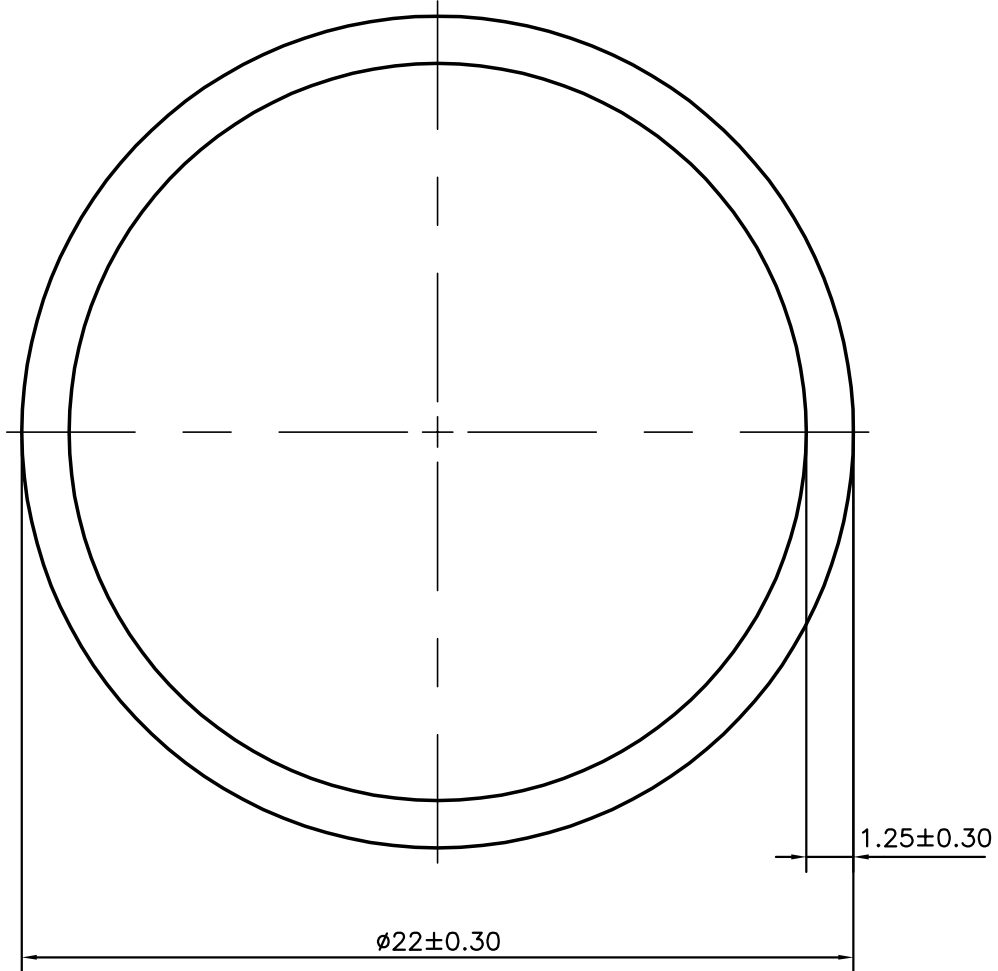
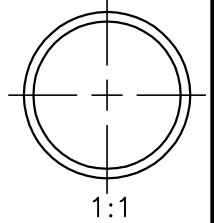


P-10579

S2827

13562



SYMBOL OF QUALITY
AN ISO 9001 COMPANY

JINDAL ALUMINIUM LTD.
BANGALORE-560073 (INDIA)

	NAME	DATE
DRAWN	J.P.KAUSHIK	23-11-2010
CHECKED		
APPROVED	S.S.GARG	17-01-2011
SCALE		5:1
AREA mm ²		81.485
PERIMETER mm.		69.115
WEIGHT kg/m		0.22
DRAWING No.	SECTION No.	
P-10579	-	
S2827	S2827	
13562	13562	

1. ALL DIMENSIONS ARE IN mm.
2. ROUND OFF ALL SHARP CORNERS WITH 0.40 mm.
3. TOLERANCES WILL BE AS PER,IS:2673-2002 UNLESS OTHERWISE SPECIFIED

PARTY'S NAME WEBCOT-REHAID, COIMBATORE

PARTY'S DRAWING No. AS PER SPECIFICATION

ALLOY & TEMPER 6063 T5

DESCRIPTION ROUND TUBE