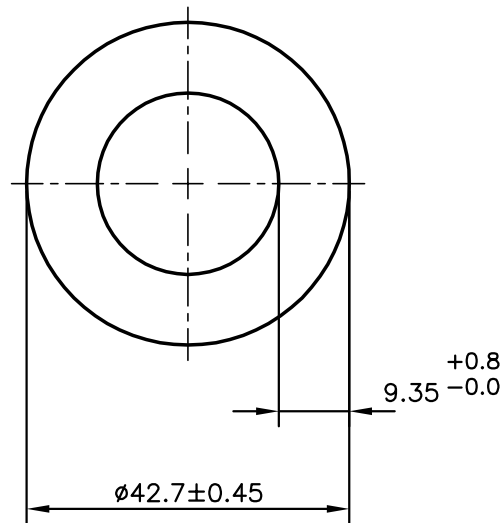


P-11568


S3205

13564

**NOTE :-**

ISSUE 2 :- TOLERANCE CHANGED ON WALL THICKNESS ± 0.5 TO $+0.8$
 -0.0

AS PER CUSTOMER REQUIREMENT
 EMAIL DATED 26.03.2012

 SYMBOL OF QUALITY AN ISO 9001 COMPANY	JINDAL ALUMINIUM LTD. BANGALORE-560073 (INDIA)		NAME	DATE
		DRAWN	PARVESH	27-03-2012
1. ALL DIMENSIONS ARE IN mm. 2. ROUND OFF ALL SHARP CORNERS WITH 0.40 mm. 3. TOLERANCES WILL BE AS PER IS:2673-2002, UNLESS OTHERWISE SPECIFIED		CHECKED		
		APPROVED	S.S.GARG	11-04-2012
PARTY'S NAME GLOBE COMPONENTS (P) LTD., CHENNAI		SCALE		1:1
		AREA mm ²		979.619
PARTY'S DRAWING No. AS PER SPECIFICATION		PERIMETER mm.		134.146
		WEIGHT kg/m		2.645
ALLOY & TEMPER 6063 T6		DRAWING No.		P-11568
		SECTION No.		-
DESCRIPTION ROUND TUBE		S3205		S3205 (ISSUE-2)
		13564		13564