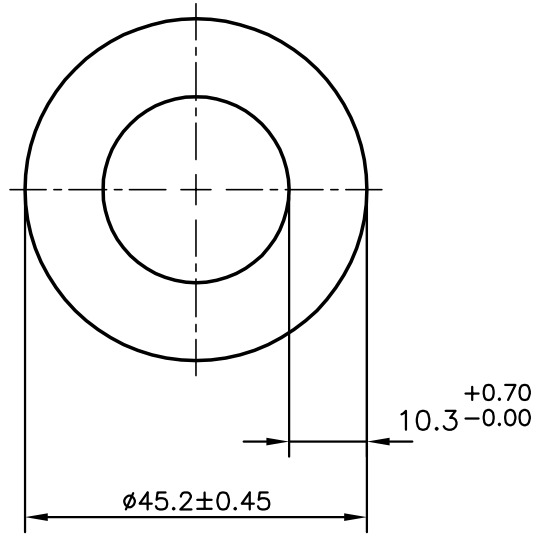



P-11569-1
S3206
13565



NOTE :-

ISSUE 2 :- TOLERANCE CHANGED ON WALL THICKNESS ± 0.5 TO $+0.7$ / -0.0

AS PER CUSTOMER REQUIREMENT
EMAIL DATED 12.04.2012

 SYMBOL OF QUALITY AN ISO 9001 COMPANY	JINDAL ALUMINIUM LTD. BANGALORE-560073 (INDIA)		NAME	DATE
		DRAWN	PARVESH	12-04-2012
1. ALL DIMENSIONS ARE IN mm. 2. ROUND OFF ALL SHARP CORNERS WITH 0.40 mm. 3. TOLERANCES WILL BE AS PER IS:2673-2002, UNLESS OTHERWISE SPECIFIED		CHECKED		
		APPROVED	S.S.GARG	14-04-2012
		SCALE		1:1
PARTY'S NAME GLOBE COMPONENTS (P) LTD., CHENNAI		AREA	mm ²	1129.308
		PERIMETER	mm.	142.00
PARTY'S DRAWING No. AS PER SPECIFICATION		WEIGHT	kg/m	3.049
		DRAWING No.		SECTION No.
ALLOY & TEMPER 6063 T6		P-11569-1		-
		S3206		S3206(ISSUE-2)
DESCRIPTION ROUND TUBE		13565		13565