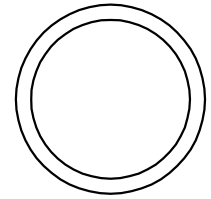


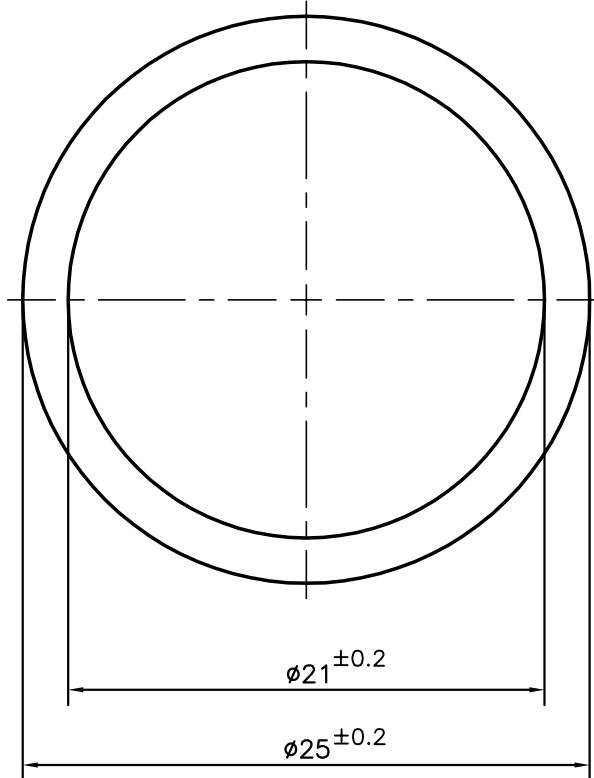
P-12153-1

S3532

13566



SCALE: - 1:1



SYMBOL OF QUALITY
AN ISO 9001 COMPANY

JINDAL ALUMINIUM LTD.
BANGALORE-560073 (INDIA)

	NAME	DATE
DRAWN	PARVESH	31-10-2012
CHECKED		
APPROVED	S.S.GARG	03-11-2012
SCALE		3:1
AREA mm ²		144.513
PERIMETER mm.		78.54
WEIGHT kg/m		0.390
DRAWING No.	SECTION No.	
P-12153-1	-	
S3532	S3532	
13566	13566	

1. ALL DIMENSIONS ARE IN mm.
2. ROUND OFF ALL SHARP CORNERS WITH 0.40 mm.
3. TOLERANCES WILL BE AS PER IS:2673-2002 UNLESS OTHERWISE SPECIFIED

PARTY'S NAME	VEEJAY LAKSHMI ENGINEERING WORKS LTD., COIMBATORE
PARTY'S DRAWING No.	AS PER SPECIFICATION
ALLOY & TEMPER	HE9 WP
DESCRIPTION	ROUND TUBE