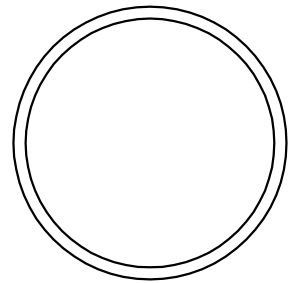


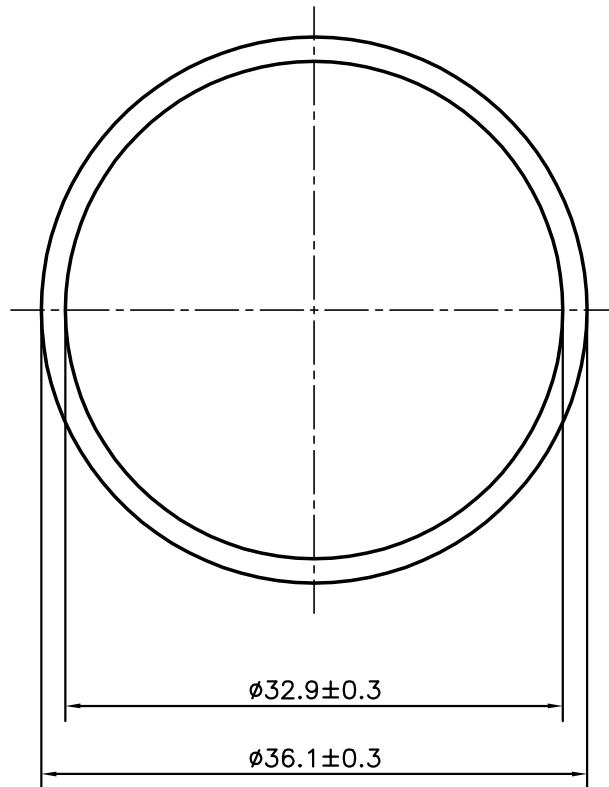
P-12230-1

S3555

13567



SCALE :- 1:1



OVALITY -  $\pm 0.40$  mm.



SYMBOL OF QUALITY  
AN ISO 9001 COMPANY

**JINDAL ALUMINIUM LTD.**  
BANGALORE-560073 (INDIA)

	NAME	DATE
DRAWN	PARVESH	16-11-2012
CHECKED		
APPROVED	S.S.GARG	20-11-2012
SCALE		2:1
AREA mm <sup>2</sup>		173.416
PERIMETER mm.		113.411
WEIGHT kg/m		0.468
DRAWING No.		SECTION No.
P-12230-1		-
S3555		S3555
13567		13567

1. ALL DIMENSIONS ARE IN mm.
2. ROUND OFF ALL SHARP CORNERS WITH 0.40 mm.
3. TOLERANCES WILL BE AS PER IS:2673-2002 , UNLESS OTHERWISE SPECIFIED

PARTY'S NAME	JARAA CNC PRODUCTS, HOSUR
PARTY'S DRAWING No.	1A1583-12
ALLOY & TEMPER	6005 T6
DESCRIPTION	ROUND TUBE