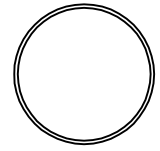
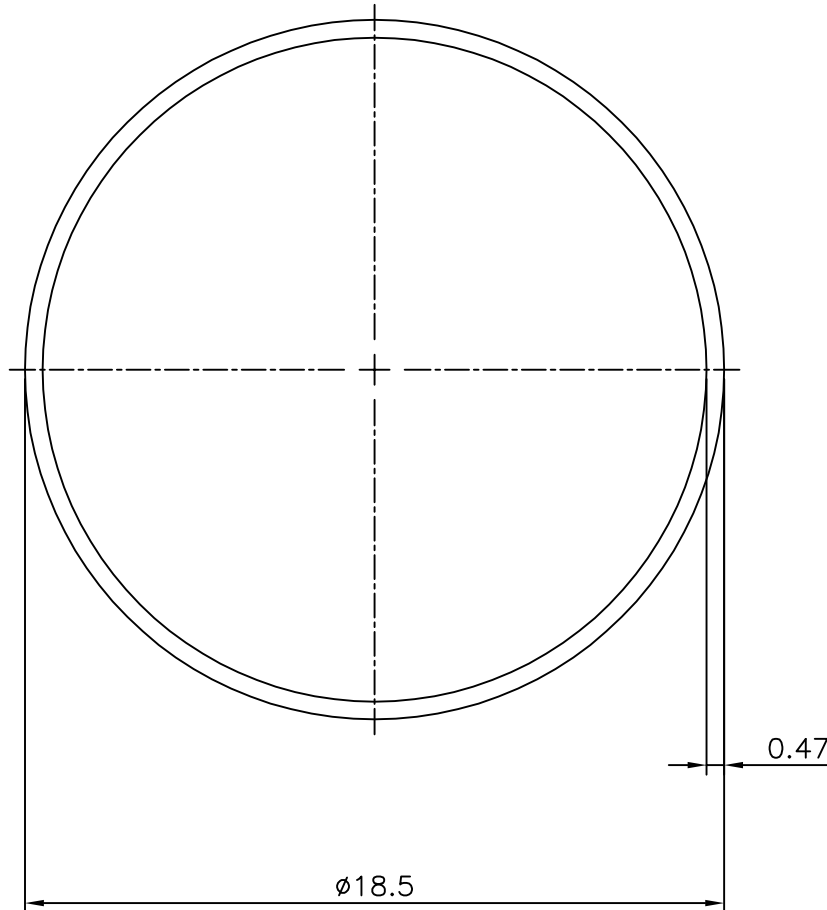


P-13138


13579



SCALE 1:1



3658 mm, LONG PIECES IN 100 Kgs = 382 (AVERAGE)

 SYMBOL OF QUALITY AN ISO 9002 COMPANY	JINDAL ALUMINIUM LTD. BANGALORE-560073 (INDIA)	NAME	DATE
		DRAWN	PARVESH 27-11-2013
1. ALL DIMENSIONS ARE IN mm. 2. ROUND OFF ALL SHARP CORNERS WITH 0.40 mm. 3. TOLERANCES WILL BE AS PER IS:6477-1983 UNLESS OTHERWISE SPECIFIED		CHECKED	
		APPROVED	S.S.GARG 27-11-2013
PARTY'S NAME GENERAL CATEGORY, DELHI MARKET		SCALE	5:1
		AREA mm ²	26.622
PARTY'S DRAWING No. LIGHTER OF SECTION NO. 13213		PERIMETER mm.	58.119
		WEIGHT kg/m	0.072
ALLOY & TEMPER HE9 WP		DRAWING No.	SECTION No.
		P-13138	-
DESCRIPTION ROUND TUBE		13579	13579(ISSUE-2)