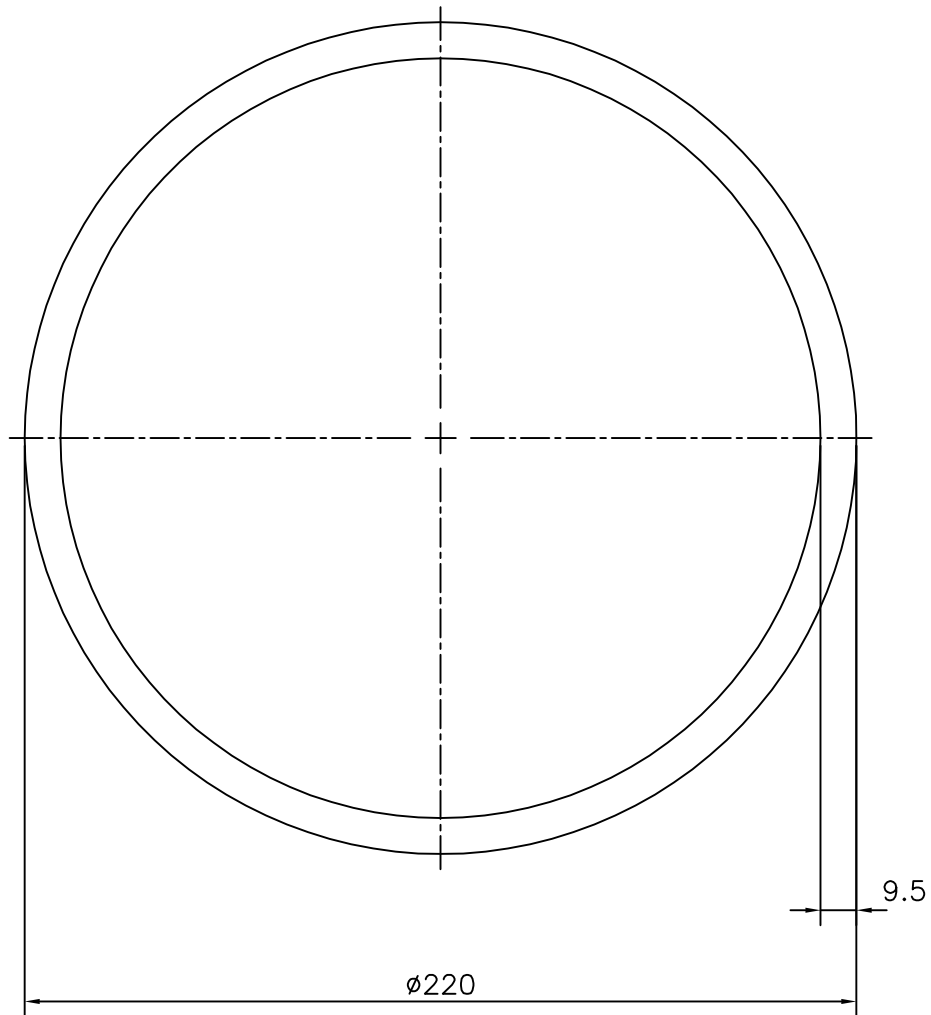


P-12549

S3680

13580



SYMBOL OF QUALITY
AN ISO 9001 COMPANY

JINDAL ALUMINIUM LTD.
BANGALORE-560073 (INDIA)

	NAME	DATE
DRAWN	PARVESH	18-02-2013
CHECKED		
APPROVED	S.S.GARG	01-03-2013
SCALE		0.5:1
AREA mm ²		6282.4
PERIMETER mm.		691.15
WEIGHT kg/m		16.962
DRAWING No.		SECTION No.
P-12549		-
S3680		S3680
13580		13580

1. ALL DIMENSIONS ARE IN mm.
2. ROUND OFF ALL SHARP CORNERS WITH 0.40 mm.
3. TOLERANCES WILL BE AS PER IS:2673-2002 , UNLESS OTHERWISE SPECIFIED

PARTY'S NAME	REEP INDUSTRIES PVT. LTD., KANCHIPURAM
PARTY'S DRAWING No.	AS PER SPECIFICATION
ALLOY & TEMPER	63401 WP
DESCRIPTION	ROUND TUBE