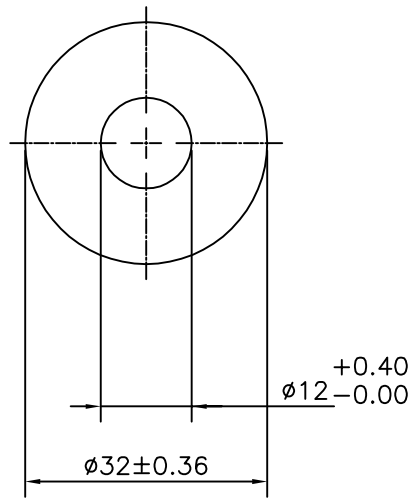



P-11330-1

S3105

13581



 SYMBOL OF QUALITY AN ISO 9001 COMPANY	JINDAL ALUMINIUM LTD. BANGALORE-560073 (INDIA)		NAME	DATE
		DRAWN	PARVESH	19-11-2011
1. ALL DIMENSIONS ARE IN mm. 2. ROUND OFF ALL SHARP CORNERS WITH 0.40 mm. 3. TOLERANCES WILL BE AS PER, IS:2673-2002 UNLESS OTHERWISE SPECIFIED		CHECKED		
		APPROVED	S.S.GARG	23-11-2011
PARTY'S NAME EYEPHOTONICS (INDIA) PVT. LTD., PONDICHERRY		SCALE		1:1
		AREA mm ²		691.15
PARTY'S DRAWING No. AS PER SPECIFICATION		PERIMETER mm.		100.531
		WEIGHT kg/m		1.866
ALLOY & TEMPER HE9 WP		DRAWING No.	SECTION No.	
		P-11330-1	-	
DESCRIPTION ROUND TUBE		S3105	S3105	
		13581	13581	