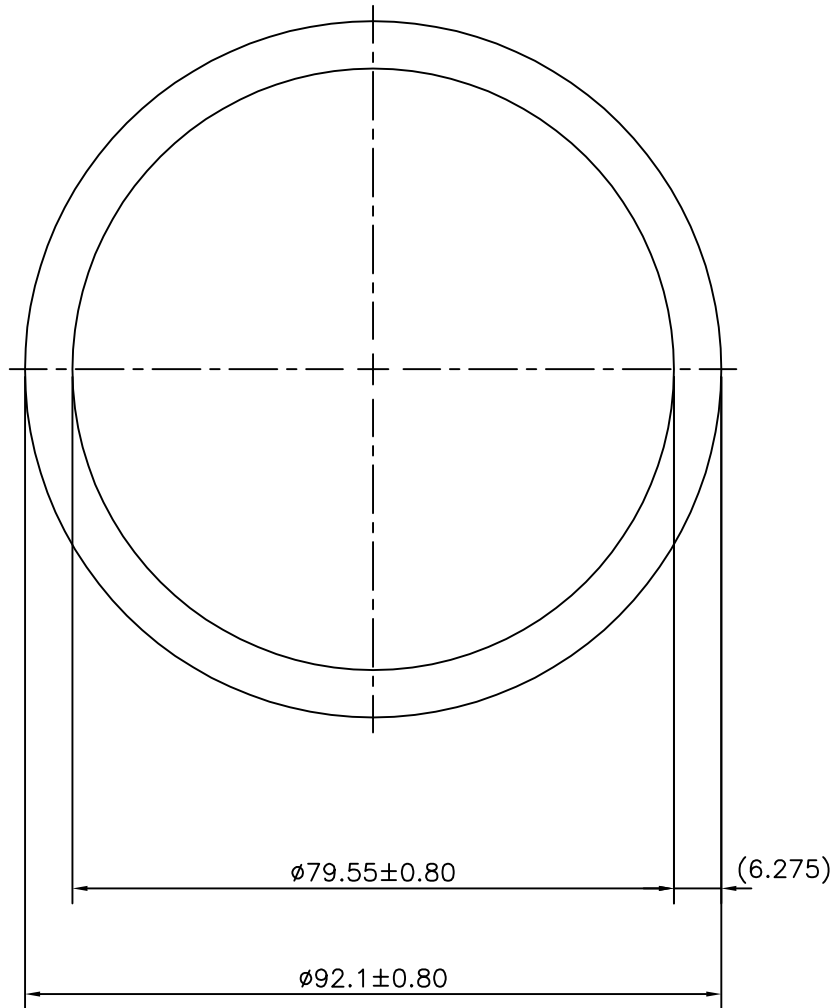


P-11240-1

S3120

13582



SYMBOL OF QUALITY
AN ISO 9001 COMPANY

JINDAL ALUMINIUM LTD.
BANGALORE-560073 (INDIA)

| | NAME | DATE |
|----------|----------|------------|
| DRAWN | PARVESH | 26-11-2011 |
| CHECKED | | |
| APPROVED | S.S.GARG | 08-12-2011 |

1. ALL DIMENSIONS ARE IN mm.
2. ROUND OFF ALL SHARP CORNERS WITH 0.40 mm.
3. TOLERANCES WILL BE AS PER, BS:EN-755-9 UNLESS OTHERWISE SPECIFIED

| | |
|----------------------|----------|
| SCALE | 1:1 |
| AREA mm ² | 1691.911 |
| PERIMETER mm. | 289.341 |
| WEIGHT kg/m | 4.568 |

| | |
|---------------------|---|
| PARTY'S NAME | DELPHI - TVS DIESEL SYSTEMS LTD., CHENNAI |
| PARTY'S DRAWING No. | AS PER SPECIFICATION |
| ALLOY & TEMPER | 6005 T6 |
| DESCRIPTION | ROUND TUBE |

| DRAWING No. | SECTION No. |
|-------------|-------------|
| P-11240-1 | - |
| S3120 | S3120 |
| 13582 | 13582 |
| | |
| | |