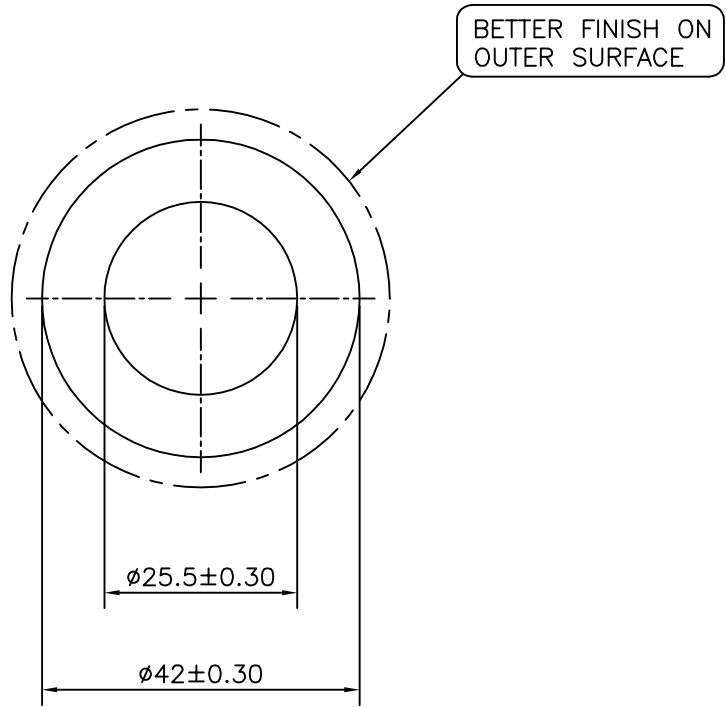



P-11375-1
S3128
13584



 SYMBOL OF QUALITY AN ISO 9001 COMPANY	<b>JINDAL ALUMINIUM LTD.</b> BANGALORE-560073 (INDIA)		NAME	DATE
		DRAWN	PARVESH	16-12-2011
1. ALL DIMENSIONS ARE IN mm. 2. ROUND OFF ALL SHARP CORNERS WITH 0.40 mm. 3. TOLERANCES WILL BE AS PER BS:EN-755-9, UNLESS OTHERWISE SPECIFIED		CHECKED		
		APPROVED	S.S.GARG	21-12-2011
PARTY'S NAME STI INDUSTRIES, VAPI		SCALE		1:1
		AREA mm <sup>2</sup>		874.737
PARTY'S DRAWING No. AS PER SPECIFICATION		PERIMETER mm.		131.947
		WEIGHT kg/m		2.362
ALLOY & TEMPER 64430 WP		DRAWING No.		SECTION No.
		P-11375-1		-
DESCRIPTION ROUND TUBE		S3128		S3128
		13584		13584